



Dry or Damp Locations
One or Two-lamp Operation
End-of-Lamp-Life Compatible

Project: _____
Location: _____
Cat.No: _____
Type: _____
Qty: _____
Notes: _____

Product order number:
B60

12NC number:
913710892502

Specifications

UL Listed

UL 924 Emergency Lighting Equipment
Factory or Field Installation (Indoor and Damp)

Illumination Time

90 Minutes

Full Warranty

3 Years (NOT pro-rata)

Dual Input Voltage

120/277 VAC, 60 Hz

AC Input Current

280 mA

AC Input Power Rating

3.5 Watts

Test Switch

Single Pole

Charging Indicator Light

LED

Battery

High-Temperature, Maintenance-Free
Nickel-Cadmium Battery
7- to 10-Year Life Expectancy

Recharge Time

24 Hours

Charging Indicator Light

LED

Temperature Rating (Ambient)

Damp Location: 0-50°C (32-122°F)
Dry Location: 0-55°C (32-131°F)

Dimensions

9.4" x 2.4" x 1.5" (238 mm x 60 mm x 38 mm)
Mounting Center 8.9" (226 mm)

Weight

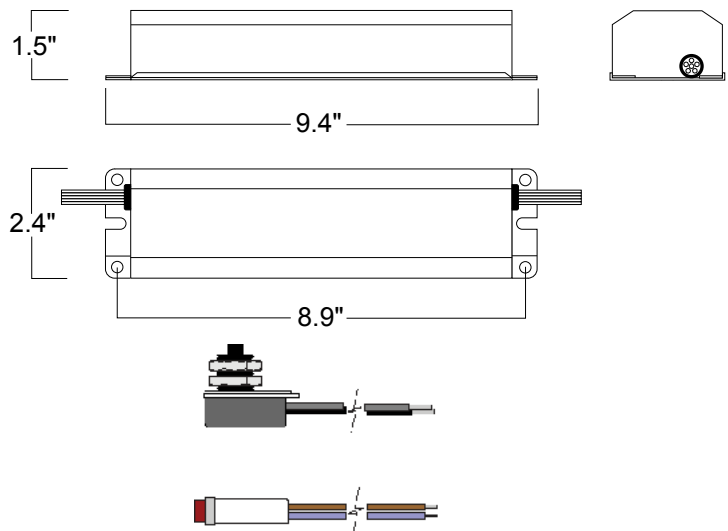
2.5 lbs. (1.13 kg)

Benefits

- Emergency mode lumen output up to 700 lumens
- One or Two-lamp operation
- End-of-Lamp-Life Compatible
- Painted metal enclosure

Dimensions

9.4" x 2.4" x 1.5" (mounting center - 8.9")



A test switch and charging indicator light are provided.

B60

Emergency Ballast

Application

The B60 emergency ballast works in conjunction with an AC ballast to convert new or existing fluorescent fixtures into emergency lighting. The emergency ballast consists of a high-temperature nickel-cadmium battery, charger and electronic circuitry in one compact red case. The B60 can be used with most 32 - 215 W (2' - 8') T8, T10 or T12 fluorescent lamps without integral starters, including U-shaped, HO, VHO, circline and energy-saving. It is also compatible with most one, two, three and four-lamp electronic, standard, energy-saving and dimming AC ballasts. If used in an emergency-only fixture, no AC ballast is necessary. The B60 is suitable for indoor and damp locations and for sealed & gasketed fixtures, including fixtures rated for wet locations. It is not suitable for air handling heated air outlets or wet or hazardous locations. For information about specific lamp and ballast compatibility, please contact Technical Support.

Operation

When AC power fails, the B60 immediately switches to the emergency mode, operating either one or two lamps at a reduced lumen output for a minimum of 90 minutes. When AC power is restored, the emergency ballast automatically returns to the charging mode and, using a patented circuit, delays AC ballast operation for approximately three seconds to prevent false tripping of the AC ballast end-of-lamp-life shutdown circuits.

Installation

The B60 does not affect normal fixture operation and may be used with either a switched or unswitched fixture. If a switched fixture is used, an unswitched hot lead must be connected to the emergency ballast. The emergency ballast must be fed from the same branch circuit as the AC ballast. The B60 may be installed inside, on top of or remote from the fixture. The emergency ballast may be remotely installed up to half the distance the AC ballast manufacturer recommends removing the AC ballast from the lamp or up to 50 feet, whichever is less. Installation is not recommended with fixtures where the ambient temperature may fall below 0°C.

Emergency Illumination

Depending on the number (one or two), wattage and type of lamps selected, the B60 produces 600 to 700 lumens initial emergency light output. If two-lamp operation is selected, light output is evenly divided between the lamps for better distribution of emergency illumination.

Specification

Emergency lighting shall be provided by using a standard fluorescent fixture equipped with a Bodine B60 emergency ballast. This emergency ballast shall consist of a high-temperature, maintenance-free nickel-cadmium battery, charger and electronic circuitry contained in

one 9 3/8" x 2 3/8" x 1 1/2" red metal case. A solid-state charging indicator light to monitor the charger and battery, a single-pole test switch and installation hardware shall be provided. The emergency ballast, using a patented circuit, shall delay AC ballast operation for approximately Three seconds to prevent false tripping of AC ballast end-of-lamp-life shutdown circuits. The emergency ballast shall be capable of operating one or two (2'-8') T8, T10 or T12 lamps, one 32 - 215 W (2' - 8') tubular lamp at reduced illumination in the emergency mode for a minimum of 90 minutes. It shall be suitable for indoor and damp locations and for sealed & gasketed fixtures, including fixtures rated for wet locations. The B60 shall have 3.5 Watts of input power and a 14.4 Watt-hour battery capacity and shall comply with emergency standards set forth by the current NEC. The emergency ballast shall be UL Listed for installation inside, on top of or remote from the fixture and shall be warranted for a full three years from date of purchase.

Warranty

Model B60 is warranted for three (3) full years from date of manufacture. Please see detailed warranty information on our web site.

