

# ADVANCE

by  Signify

## T5HO LED Driver

Centium

ICN-2S24-TLED-90C-N



### ICN-2S24-TLED-90C-N

|                 |                     |
|-----------------|---------------------|
| Brand Name      | Centium             |
| Driver Type     | T5HO LED Electronic |
| Lamp Connection | Series              |
| Input Voltage   | 120-277V            |
| Input Frequency | 50/60 Hz            |
| Status          | Active              |

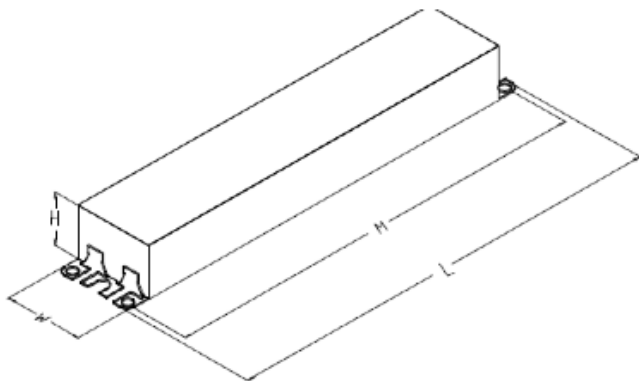


### Specifications

| Description | Product No. | Model No.  | Ordering Code                 | Bare Lamp Watts (W) | Nom. Initial Lumens | Min. Start Temp (°F/°C) | Num. of Lamps | Input Current (A) | Input Power (W) | Max THD% | Power Factor |
|-------------|-------------|------------|-------------------------------|---------------------|---------------------|-------------------------|---------------|-------------------|-----------------|----------|--------------|
| Philips LED | 467126      | 9290012837 | 24T5HO/46-830/IF33/P/DIM 10/1 | 24                  | 3300                | -13/-25                 | 2             | 0.44/0.20         | 53              | 10       | 0.99/0.95    |
| InstantFit  | 467134      | 9290012838 | 24T5HO/46-835/IF33/P/DIM 10/1 |                     | 3300                |                         |               |                   |                 |          |              |
| T5 High     | 467142      | 9290012839 | 24T5HO/46-840/IF35/P/DIM 10/1 |                     | 3500                |                         |               |                   |                 |          |              |
| Output      | 467159      | 9290012840 | 24T5HO/46-850/IF35/P/DIM 10/1 |                     | 3500                |                         | 1             | 0.23/0.11         | 28              | 18       |              |

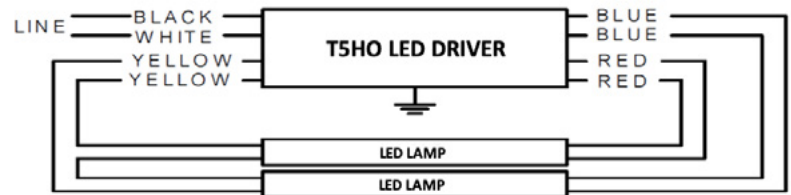
### Enclosure

|                     | In. (cm)    |
|---------------------|-------------|
| Case Width (W)      | 1.3 (3.3)   |
| Case Height (H)     | 1.0 (2.5)   |
| Mounting Length (M) | 8.90 (22.6) |
| Overall Length (L1) | 9.5 (24.1)  |



### Wiring Diagram

|        | In. (cm)   |
|--------|------------|
| Black  | 24 (61)    |
| White  | 24 (61)    |
| Blue   | 27 (68.6)  |
| Red    | 27 (68.6)  |
| Yellow | 47 (119.4) |



# Centium ICN-2S24-TLED-90C-N

## ICN-2S24-TLED-90C-N

|                 |                     |
|-----------------|---------------------|
| Brand Name      | Centium             |
| Driver Type     | T5HO LED Electronic |
| Lamp Connection | Series              |
| Input Voltage   | 120-277V            |
| Input Frequency | 50/60 Hz            |
| Status          | Active              |

## Electrical Specifications

### Section I - Physical Characteristics

- 1.1 Driver shall be physically interchangeable with standard electromagnetic or standard electronic ballasts, where applicable.
- 1.2 Driver shall be provided with integral leads color coded per ANSI C82.11.

### Section II - Performance Requirements

- 2.1 Driver shall energize compatible LED lamps within 1 second after mains power is applied.
- 2.2 Driver shall contain auto restart circuitry in order to restart LED lamps without resetting mains power.
- 2.3 Driver shall contain auto restart circuitry in order to restart lamps without resetting power.
- 2.4 Driver shall operate from a 50Hz or 60 Hz AC input source of 120V through 277V with sustained variations of +/- 10% (voltage and frequency).
- 2.5 Driver shall be high frequency electronic type and operate lamps at frequencies above 42 kHz to avoid interference with infrared devices and eliminate visible flicker.
- 2.6 Driver shall have a Power Factor of 0.95 or above when operating the maximum rated number of compatible lamps, and 0.90 or above when operating the minimum rated number of compatible lamps.
- 2.7 Driver input current shall Total Harmonic Distortion (THD) of 10% or less when operating the maximum rated number of compatible lamps and 18% or less when operating the minimum rated number of compatible lamps.
- 2.8 Driver shall have a Class A sound rating.
- 2.9 Driver shall have a minimum starting temperature of -13°F / -25°C.
- 2.10 Driver shall tolerate sustained open circuit and short circuit output conditions.
- 2.11 Driver shall be capable of operating lamps remotely and in tandem for wire lengths up to 20 ft.
- 2.12 Driver shall be suitable of operation in up to a 45°C ambient temperature.

### Section III - Regulatory Requirements

- 3.1 Driver shall not contain any Polychlorinated Biphenyl (PCB).
- 3.2 Driver shall be Underwriters Laboratories (UL) Recognized with Both UL and CSA Standards, and suitable for Damp and Dry conditions.
- 3.3 Driver shall comply with ANSI C62.41 Category A Transient protection.
- 3.4 Driver shall comply with the requirements of the Federal Communication Commission (FCC) rules and regulations, Title 47, CFR part 15, Non-Consumer (Class A) for EMI/RFI (conducted and radiated).
- 3.5 Driver shall comply with NEMA 410 for in-rush current limits.

### Section IV - Other

- 4.1 Driver shall be manufactured in a factory certified to ISO 9001 Quality System Standards.
- 4.2 Driver shall carry a five year warranty from date of manufacture against defects in material and workmanship when operating at a case temperature of 70°C or less. Driver shall carry a three year warranty from date of manufacture against defects in material and workmanship when operating at a case temperature between 71°C and 90°C.

The information presented in this document is not intended as any commercial offer and does not form part of any quotation or contract.



© 2021 Signify Holding. All rights reserved. The information provided herein is subject to change, without notice. Signify does not give any representation or warranty as to the accuracy or completeness of the information included herein and shall not be liable for any action in reliance thereon. The information presented in this document is not intended as any commercial offer and does not form part of any quotation or contract, unless otherwise agreed by Signify.

Signify North America Corporation  
200 Franklin Square Drive,  
Somerset, NJ 08873  
Telephone 855-486-2216

Signify Canada Ltd.  
281 Hillmount Road,  
Markham, ON, Canada L6C 2S3  
Telephone 800-668-9008

All trademarks are owned by Signify Holding or their respective owners.