

Emergency Driver

LED

BSL6LST



Project: _____

Location: _____

Cat.No: _____

Type: _____

Lamps: _____ Qty: _____

Notes: _____

Emergency LED Driver (6 Watts Output Power)

New Compact Case

Self-Testing

Class 2 Output

Product order number: BSL6LSTM

Specifications

UL Listed for US and Canada

Listed to UL924 and tested to CSA 22.2 No. 141
 Field or Factory Installation (Indoor and Damp)
 Output Class 2 Compliant

Illumination Time

90 Minutes

Initial Light Output

Up to 780 lumens*

Full Warranty

5 Years (NOT pro-rata)

Universal Input Voltage

120-277 VAC, 50/60 Hz

Output Voltage

15 - 54 VDC

Output Power

6.0 W initial (regulated)

Test Switch / Charging Indicator Light

Two-Wire Illuminated Test Switch (2W-ITS)**

Battery

High-Temperature, Maintenance-Free
 Lithium Ion Battery
 7- to 10-Year Life Expectancy

Recharge Time

24 Hours

Temperature Rating

Ambient : 0°C to +55°C (32°F to 131°F)
 Case: Tc (max): 63°C

Dimensions

14.1" x 1.18" x 1.0" (358 mm x 30 mm x 25 mm) Mount-
 ing Center 13.78" (350 mm)

Weight

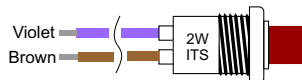
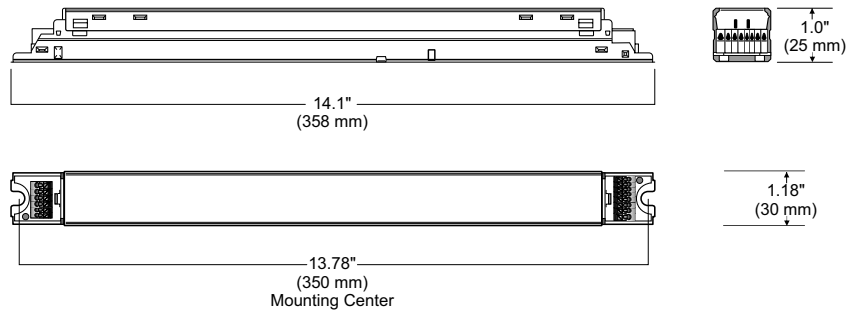
0.75 lbs. (0.34 kg)

Benefits:

- New compact design for space-limited linear LED applications.
- Smart Charger Technology for low energy consumption
- Meets Title 20 CEC (California Energy Commission) efficiency standards
- Automatic code-compliant testing
- Controlled power for predictable discharge
- Poke-In wiring connections for simplified installation
- RoHS Compliant

Dimensions

14.1" x 1.18" x 1.0" (mounting center - 13.78")



An illuminated test switch/charging indicator light is provided.

* Based on a min efficacy of 130 lumens/watt of load power
 ** The 2W-ITS is a Class 2 device.

BSL6LST Emergency LED Driver, Class 2 Output

Application

The BSL6LST is UL Listed for factory or field installation and allows the same LED luminaire to be used for normal and emergency operation. The emergency LED driver works in conjunction with an AC LED driver that has an output current not to exceed 5.0A, to convert new or existing LED fixtures into emergency lighting. The emergency driver consists of a high-temperature maintenance free lithium ion battery, charger, and electronic circuitry contained in one metal enclosure. The BSL6LST is capable of delivering an initial minimum power of 6 watts to an LED load (15-54 VDC) for a minimum of 90 minutes. If used in an emergency-only fixture, no AC driver is necessary. The BSL6LST is suitable for indoor and damp locations, and for installation in sealed and gasketed fixtures, including fixtures rated for wet locations. For more information about specific LED and AC driver compatibility, please contact Technical Support.

Operation

When AC power fails, the BSL6LST immediately switches to the emergency mode, operating the LEDs at a reduced lumen output for a minimum of 90 minutes. When AC power is restored, the emergency driver automatically returns to the charging mode. During automated testing, the BSL6LST simulates an AC power failure. This failure causes the emergency driver to switch to emergency mode and conduct a discharge test to monitor battery voltage and the LED's operation. If the BSL6LST detects a problem, the status indicator light flashes. When testing is complete, the BSL6LST returns to the charging mode. The BSL6LST automatically tests emergency lighting for 30 seconds once a month and 90 minutes once a year.

Installation

The BSL6LST does not affect normal fixture operation and may be used with either a switched or unswitched fixture. If a switched fixture is used, an unswitched hot lead must be connected to the emergency driver. The emergency driver must be fed from the same branch circuit as the AC driver. Installation is not recommended with fixtures where the ambient temperature may fall below 0°C. The 2W-ITS is a class 2 device. It may be remotely mounted up to 100 ft. from the BSL6LST emergency driver.

Code Compliance

The BSL6LST complies with Part 15 of the FCC Regulations and meets CEC Title 20 (California Energy Commission) battery charging efficiency regulations. The emergency driver shall be UL924 Listed for factory or field installation in the USA or Canada. Output LED Load, Test Switch, and Unit-Engage connections are all rated Class 2 per UL1310. RoHS compliant

Emergency Illumination

The BSL6LST shall be capable of delivering an up to 6 watts of power to an LED load (15-54 VDC) for a minimum of 90 minutes.

Specification

Emergency lighting shall be provided by using an LED fixture equipped with a Bodine BSL6LST self-testing/self-diagnostic emergency driver. Electronic circuitry shall be self-testing in design and automatically test emergency lighting for a minimum of 30 seconds every 28 days and 90 minutes once a year. This emergency driver shall consist of a high-temperature maintenance-free lithium ion battery,

charger, and other electronic circuitry contained in one metal enclosure. A 2-wire illuminated test switch (2W-ITS) shall be supplied with the installation hardware. The BSL6LST is capable of delivering an initial minimum power of 6 watts to an LED load (15-54 VDC) for a minimum of 90 minutes. The BSL6LST is suitable for indoor and damp locations, and for installation in sealed and gasketed fixtures, including fixtures rated for wet locations. The BSL6LST shall have a 18.6 Watt-hour battery capacity, a maximum of 6 Watts of input power, and shall comply with emergency standards set forth by the current NEC. This device complies with Part 15 of the FCC Rules and meets CEC Title 20 (California Energy Commission) efficiency standards. The BSL6LST shall be UL Listed for factory or field installation.

Warranty

Model BSL6LST is warranted for five (5) full years from date of manufacture. Please see detailed warranty information on our web site..

Lithium Battery Shipping Regulations

To comply with IATA provisions for air transporting lithium batteries, and for a step by step guidance through the shipping process, please visit <http://www.iata.org/publications/store/Pages/lithium-battery-shipping-guidelines.aspx>.

To view a Classification Flowchart for package marking requirements, please visit <http://www.iata.org/whatwedo/cargo/dgr/Pages/lithium-batteries.aspx>. Scroll to the "Guidance Material" section and click on the provided "Guidance Document" PDF link. The Classification Flowchart will be found on page 5. The BSL6LST battery cell capacity is less than 20Wh, and the battery pack capacity is less than 100 Wh.

