



Two Lamphead Emergency Lighting Unit
FirstLink Compatible for Automated Testing and Reporting
 High Lumen Output / Over 75-foot Spacing
 UV Stable Thermoplastic Housing
 UL 94 5VA Flame Rating

Project: _____
 Location: _____
 Cat.No: _____
 Type: _____
 Qty: _____
 Notes: _____

Product order number: **12 NC number:**
 BUB4WFL1 (with FirstLink) 913702495601
 BUB4W1 (without FirstLink) 913702495901

Specifications

Regulatory

Listed to UL 924 for Field Installation in US and Canada (Indoor and Damp)
 NFPA 70 (National Electric Code)
 NFPA 101 (Life Safety Code)
 CEC Title 20 Compliant

Emergency Output Lumens (lamp heads)

620 lumens (total)
 Fixture spacing - see page 3

Illumination Time

90 Minutes

AC Input Voltage

Universal input 120 - 277 VAC, 50/60 Hz

AC Input Current (max)

120 Vac = 54 mA
 277 Vac = 34 mA

Recharge Time

24 Hours

Charging Indicator Light / Test Switch

Integrated, Bi-color LED Test Switch

Temperature Rating (Ambient)

50° F to 104° F (10° C to 40° C)

Battery

Integral Maintenance-Free Lithium-Ion Battery

Construction

White thermoplastic housing
 UL94 5VA Flame Rated, UV stable
 Contractor friendly snap together design
 Electronics and battery contained within housing

Installation

Wall and Ceiling mounting
 Back plate keyhole slots are easily removable
 Knockouts for securing to a 3" or 4" j-box

Lamps

Two (2) 2.2 W LED lamp sources (5000K)
 Lampheads adjustable

Wireless range*

40' (typical minimum)
 80' (line of sight)

Surge Rating

NEMA/ANSI C82.77-5-2017 100kHz Ring Wave (w/t 30Ω)
 >2.5kV Differential (L-N)
 >2.5kV Common (L-G, N-G, L&N-G)

Dimensions

5.10" H x 7.10" W x 2.40" D
 (130 mm x 180 mm x 61 mm)

Weight

1.25 lbs. (0.57 kg)

Warranty

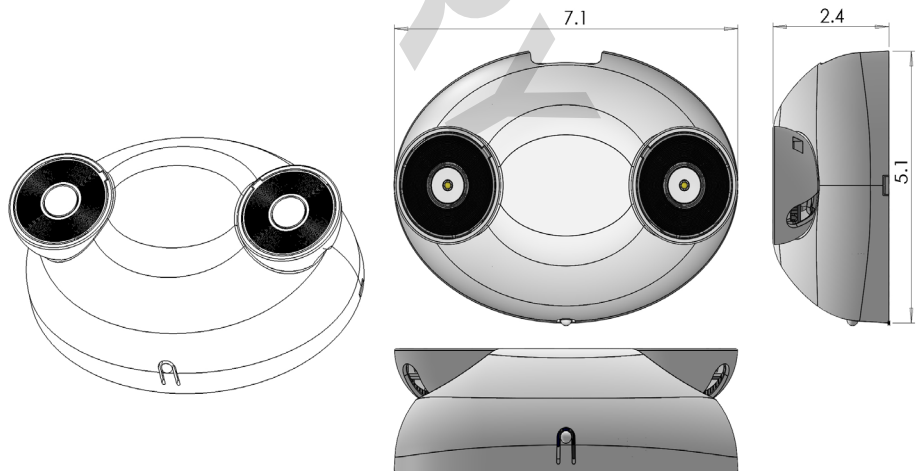
5 Years (not pro-rata)

*Wireless range can be impacted by many factors, which must be taken into account during the system design.

Benefits

- FirstLink connectivity for easy emergency lighting system testing and maintenance (if equipped)
- Easy installation with ABConnect
- Automatic code-compliant testing
- UL 924 Listed for field installation
- Meets CEC Title 20 (California Energy Commission) efficiency standards
- Low profile, contemporary design
- Two high lumen output, adjustable LED lampheads
- Higher spacing distance between devices
- Two versions available, with and without FirstLink connectivity

Dimensions



BeamGuide – BUB4

Unit Equipment



FirstLink

The Bodine BUB4 can be connected to the Bodine FirstLink application. FirstLink makes testing and reporting the status of a facility's emergency lighting system quick and easy. The FirstLink application enables the interconnection of FirstLink compatible exit signs, unit equipment, and emergency drivers and allows for the collection of product test results, the collation of that data into reports, and additional controls over the devices. For full details on what FirstLink and the FirstLink application can do, please see the FirstLink Application Guide.

The FirstLink app is available for both iOS and Android smart phones and can be found on the App Store and Google Play.

Application

The Bodine BeamGuide BUB4 Unit Equipment is a high performance emergency lighting unit equipment that illuminates the path of emergency egress.

Two lamp heads can be adjusted to provide optimum illumination and the unit comes with self-testing/self-diagnostic features, along with Firstlink connectivity, to ensure the product is always ready for an emergency and to simplify code compliance testing and maintenance.

Operation

When under normal power, the BUB4's internal battery charges. Upon failure of normal power, the BUB4 begins providing emergency power to the lamp heads using the internal battery for a minimum of 90 minutes. When normal power is restored, the BUB4 automatically returns to charge mode. The battery capacity is fully restored in 24 hours.

During automated testing, the BUB4 simulates an AC power outage which causes the unit to switch to emergency mode and conduct a discharge test to monitor battery voltage and load operation. If a problem is detected the status indicator light flashes and the failure is logged. When testing is complete, the BUB4 returns to the charging mode. Automatic testing is conducted for 30 seconds once a month and 90 minutes once a year.

ABConnect (Automatic Bodine Connect) simplifies shipping, storage, installation, and commissioning of the emergency lighting luminaire. It allows for the luminaire to be installed and made ready for use without needing to reopen the luminaire when AC power is available, also avoiding unnecessary drain on the battery. Once activated, the product can also

be manually disabled, allowing the product or the luminaire to be safely stored for extended periods of time. In the situation where the user manually deactivates the emergency operation for shipping or storing product via the test switch, the Automatic Bodine Connect feature reactivates power when the driver senses that AC current is applied. This feature saves time, labor and the potential to overlook the converter connector step. This reduces the possibility of inadvertently discharging the battery prior to installation, whether in transit or storage.

Installation

The BUB4 can be either wall or ceiling mounted, as required by the end application. The BUB4 can be mounted on surface conduit (entry on top of housing in center of backplate). It can also mount to a standard single gang, 3" and 4" electrical box. The BUB4 requires unswitched AC line to charge the battery and to identify when normal power is lost and when the unit must switch into the emergency mode.

Emergency Illumination

The BUB4 lamp heads provide 520 lumens of code compliant emergency illumination at unit-to-unit spacings up to 40'. For more information, see the illustration and table on page 3.

Code Compliance

The BUB4 has been tested by Underwriters Laboratories in accordance with the standards set forth in UL 924, "Emergency Lighting and Power Equipment". The BUB4 is UL Listed for field installation. Emergency illumination time exceeds the National Electrical Code (NEC), Life Safety Code (NFPA-LSC), and UL 90-minute requirements.

Warranty

The BUB4 is warranted for five (5) years from the date of manufacture. This warranty covers only properly installed product used under normal conditions. For the warranty period, Bodine will, at its option, repair or replace without charge a defective product provided it is returned to the factory transportation prepaid. An inspection will be conducted to determine if the unit is defective under the terms of the warranty. Repair or replacement, as stated, shall constitute the purchaser's exclusive warranty, which does not extend to transportation, installation, labor or any other charges; nor does it apply to any equipment of another manufacturer used in conjunction with the product.

Specification

Emergency egress path lighting shall be provided by using the FirstLink BUB4 Unit Equipment from Bodine. Electronic circuitry shall be self-testing in design and automatically test emergency lighting for a minimum of 30 seconds every 28 days and 90 minutes once a year.

When connected to the FirstLink app, the BUB4 test data will be collected, test results reports generated, and additional control and data are to be had.

The BUB4 shall provide emergency lighting at 10°C to 40°C for a minimum of 90 minutes, and shall exceed emergency standards set forth by the current NEC. This device shall comply with Part 15 of the FCC Rules, and meet CEC Title 20 (California Energy Commission) efficiency standards. It shall be UL Listed, suitable for damp locations, and warranted for five years from date of manufacture.



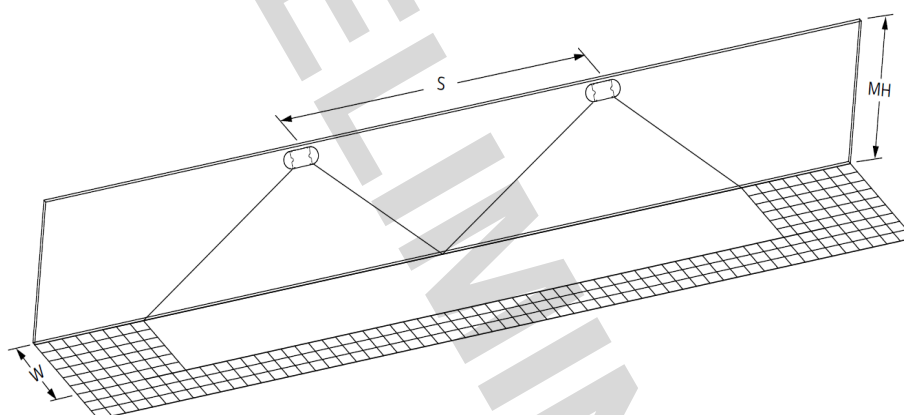
BeamGuide – BUB4

Unit Equipment

Performance

Meets Life Safety Code Illumination standard average of 1.0 FC, no point less than 0.1 FC max to min ratio of 40:1.
 Assumes open space with no obstructions. NFPA 101, Life Safety Code matches California Fire Code of Regulations, Title 24.
 Normal operation (off/standby) is not to be confused with emergency operation.

	FirstLink BUB4 performance			
	80/50/20 Reflectance [†]		10/10/10 Reflectance [‡]	
	3' Path	6' Path	3' Path	6' Path
Single Unit Coverage	56'	52'	48'	40'
Center-to-Center	76'	60'	63'	55'



Ordering Guide

Example: BUB4WFL1

Product Category	Lumen Level	Housing Color	Options	Generation
BUB	4	W	FL	1
BUB Bodine Unit Equipment (Family B)	4 620 Lumens	W White Housing	FL (with FirstLink) Blank (without FirstLink)	1

Lithium Battery Shipping Regulations

To comply with IATA provisions for air transporting lithium batteries, please visit <https://www.iata.org/en/programs/cargo/dgr/lithium-batteries/>.

To view a Classification Flowchart for package marking requirements, please visit [Battery Guidance Document](#).

The BUB battery cell capacity is less than 20Wh, and the battery pack capacity is less than 100 Wh.



© 2025 Signify Holding. All rights reserved. The information provided herein is subject to change, without notice. Signify does not give any representation or warranty as to the accuracy or completeness of the information included herein and shall not be liable for any action in reliance thereon. The information presented in this document is not intended as any commercial offer and does not form part of any quotation or contract, unless otherwise agreed by Signify.