



### ICN-4S24-TLED-90C-2LS-G

Brand Name	Centium
Driver Type	T5HO LED Electronic
Lamp Connection	Series
Input Voltage	120-277V
Input Frequency	50/60 Hz
Status	Active

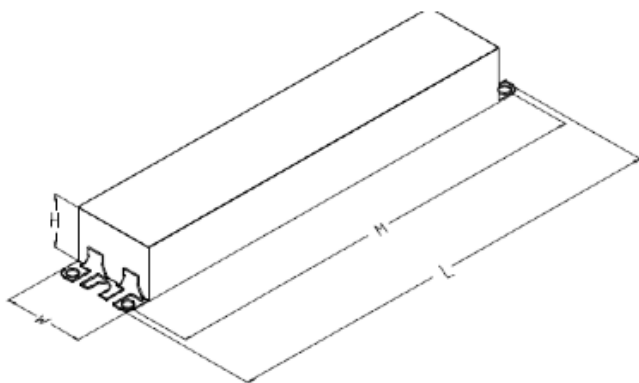


### Specifications

Description	Product No.	Model No.	Ordering Code	Bare Lamp Watts (W)	Nom. Initial Lumens	Min. Start Temp (°F/°C)	Num. of Lamps	Input Current (A)	Input Power (W)	Max THD%	Power Factor
Philips LED InstantFit T5 High Output	467126	9290012837	24T5HO/46-830/IF33/P/DIM 10/1	24	3300	-13/-25	4	0.89/0.39	106	10	0.99/0.95
	467134	9290012838	24T5HO/46-835/IF33/P/DIM 10/1		3300		3	0.68/0.31	80	15	0.99/0.94
	467142	9290012839	24T5HO/46-840/IF35/P/DIM 10/1		3500		2	0.44/0.20	53	10	0.99/0.92
	467159	9290012840	24T5HO/46-850/IF35/P/DIM 10/1		3500		1	0.23/0.12	28	18	0.97/0.82

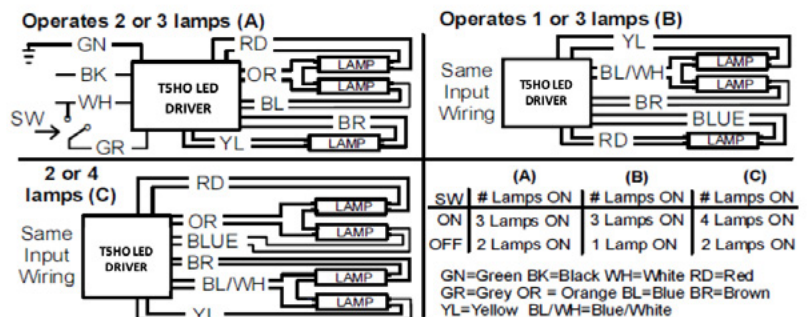
### Enclosure

	In. (cm)
Case Width (W)	1.7 (4.3)
Case Height (H)	1.18 (3.0)
Mounting Length (M)	16.34 (41.5)
Overall Length (L1)	16.7 (42.4)



### Wiring Diagram

	In. (cm)
Black	25 (63.5)
White	25 (63.5)
Blue	28 (71.1)
Red	28 (71.1)
Yellow	28 (71.1)
Gray	25 (63.5)
Blue/White	33 (83.8)
Brown	28 (71.1)
Orange	33 (83.8)



# Centium ICN-4S24-TLED-90C-2LS-G

## ICN-4S24-TLED-90C-2LS-G

Brand Name	Centium
Driver Type	T5HO LED Electronic
Lamp Connection	Series
Input Voltage	120-277V
Input Frequency	50/60 Hz
Status	Active

## Electrical Specifications

### Section I - Physical Characteristics

- 1.1 Driver shall be physically interchangeable with standard electromagnetic or standard electronic ballasts, where applicable.
- 1.2 Driver shall be provided with integral leads color coded per ANSI C82.11.

### Section II - Performance Requirements

- 2.1 Driver shall energize compatible LED lamps within 1 second after mains power is applied.
- 2.2 Driver shall contain auto restart circuitry in order to restart LED lamps without resetting mains power.
- 2.3 Driver shall contain auto restart circuitry in order to restart lamps without resetting power.
- 2.4 Driver shall operate from a 50Hz or 60 Hz AC input source of 120V through 277V with sustained variations of +/- 10% (voltage and frequency).
- 2.5 Driver shall be high frequency electronic type and operate lamps at frequencies above 42 kHz to avoid interference with infrared devices and eliminate visible flicker.
- 2.6 Driver shall have a Power Factor of 0.95 or above when operating the maximum rated number of compatible lamps, and 0.82 or above when operating the minimum rated number of compatible lamps.
- 2.7 Driver input current shall Total Harmonic Distortion (THD) of 10% or less when operating the maximum rated number of compatible lamps and 18% or less when operating the minimum rated number of compatible lamps.
- 2.8 Driver shall have a Class A sound rating.
- 2.9 Driver shall have a minimum starting temperature of -13°F / -25°C.
- 2.10 Driver shall tolerate sustained open circuit and short circuit output conditions.
- 2.11 Driver shall be capable of operating lamps remotely and in tandem for wire lengths up to 20 ft.
- 2.12 Driver shall be suitable of operation in up to a 45°C ambient temperature.

### Section III - Regulatory Requirements

- 3.1 Driver shall not contain any Polychlorinated Biphenyl (PCB).
- 3.2 Driver shall be Underwriters Laboratories (UL) Recognized with Both UL and CSA Standards, and suitable for Damp and Dry conditions.
- 3.3 Driver shall comply with ANSI C62.41 Category A Transient protection.
- 3.4 Driver shall comply with the requirements of the Federal Communication Commission (FCC) rules and regulations, Title 47, CFR part 15, Non-Consumer (Class A) for EMI/RFI (conducted and radiated).
- 3.5 Driver shall comply with NEMA 410 for in-rush current limits.

### Section IV - Other

- 4.1 Driver shall be manufactured in a factory certified to ISO 9001 Quality System Standards.
- 4.2 Driver shall carry a five year warranty from date of manufacture against defects in material and workmanship when operating at a case temperature of 70°C or less. Driver shall carry a three year warranty from date of manufacture against defects in material and workmanship when operating at a case temperature between 71°C and 90°C.

The information presented in this document is not intended as any commercial offer and does not form part of any quotation or contract.

