

# ADVANCE

by  Signify

## T8 LED Driver

Centium

ICN-2P16-TLED-HL-N



### ICN-2P16-TLED-HL-N

Brand Name	Centium
Driver Type	T8 LED Electronic
Lamp Connection	Parallel
Input Voltage	120-277V
Input Frequency	50/60 Hz
Status	Active



### Specifications

Description	Product No.	Model No.	Ordering Code	Bare Lamp Watts (W)	Nom. Initial Lumens	Min. Start Temp (°F/°C)	Num. of Lamps	Input Current (A)	Input Power (W)	Max THD%	Power Factor
Philips LED InstantFit T8 - 4' MasterClass	565580	9290030253/A	8.9T8/MAS/48-830/IF15/P/DIM 10/1	8.9	1500	-13/-25	2	0.22/0.10	26	10	0.99/0.95
	565598	9290030254/A	8.9T8/MAS/48-835/IF15/P/DIM 10/1		1500						
	565606	9290030255/A	8.9T8/MAS/48-840/IF16/P/DIM 10/1		1600						
	565614	9290030256/A	8.9T8/MAS/48-850/IF16/P/DIM 10/1	1600							
	473974	9290020158/A	9.5T8/MAS/48-830/IF15/P 10/1	9.5	1500						
	473982	9290020159/A	9.5T8/MAS/48-835/IF15/P 10/1		1500						
473990	9290020160/A	9.5T8/MAS/48-840/IF16/P 10/1	1600								
474007	9290020161/A	9.5T8/MAS/48-850/IF16/P 10/1	1600								
Philips LED InstantFit T8 - 4'	468694	9290013037	10T8/48-2700 IF 10/1	10	1400	-13/-25	2	0.24/0.10	29	10	0.99/0.97
	468264	9290011239C	10T8/48-3000 IF 10/1		1500						
	468272	9290011240C/D	10T8/48-3500 IF 10/1		1500						
	468280	9290011241C/D	10T8/48-4000 IF 10/1		1600						
	468298	9290011242C/D	10T8/48-5000 IF 10/1		1600						
	473966	9290013971	10T8 LED/48-2700 IF 1PK 10/1		1400						
	473974	9290013972	10T8 LED/48-3000 IF 1PK 10/1		1500						
	473982	9290013973	10T8 LED/48-3500 IF 1PK 10/1		1500						
	473990	9290013974	10T8 LED/48-4000 IF 1PK 10/1		1600						
	474007	9290013975	10T8 LED/48-5000 IF 1PK 10/1		1600						
Philips LED InstantFit T8 - 4' CorePro	553230	9290022527A	10T8/COR/48-830/IF15/G 10/1	10	1500	-13/-25	2	0.30/0.13	36	10	0.99/0.97
	553248	9290022528A	10T8/COR/48-835/IF15/G 10/1		1500						
	553214	9290019917A	10T8/COR/48-840/IF16/G 10/1	10	1600						
	553222	9290019918A	10T8/COR/48-850/IF16/G 10/1		1600						
	553230	9290022527	10T8/COR/48-830/IF15/G 10/1		1500						
553248	9290022528	10T8/COR/48-835/IF15/G 10/1	1500								
553214	9290019917	10T8/COR/48-840/IF16/G 10/1	1600								
553222	9290019918	10T8/COR/48-850/IF16/G 10/1	1600								
Philips LED InstantFit T8 - 4' Glass Pro	530469	9290018660	12T8/PRO/48-830/IF17/G 10/1 FB	12	1700	-13/-25	2	0.28/0.12	34	10	0.99/0.97
	530477	9290018661	12T8/PRO/48-835/IF17/G 10/1 FB		1700						
	530485	9290018662	12T8/PRO/48-840/IF18/G 10/1 FB		1800						
	530493	9290018663	12T8/PRO/48-850/IF18/G 10/1 FB				1800				
Philips LED InstantFit T8 - 4' High Output MasterClass	473926	9290013976E/F	13T8/MAS/48-830/IF20/P/DIM 10/1	13	2000	-13/-25	2	0.32/0.14	38	10	0.99/0.97
	473934	9290013977E/F	13T8/MAS/48-835/IF20/P/DIM 10/1		2000						
	473942	9290013978E/F	13T8/MAS/48-840/IF21/P/DIM 10/1		2100						
	473958	9290013979E/F	13T8/MAS/48-850/IF21/P/DIM 10/1				2100				
							2100				

# Centium ICN-2P16-TLED-HL-N

## ICN-2P16-TLED-HL-N

Brand Name	Centium
Driver Type	T8 LED Electronic
Lamp Connection	Parallel
Input Voltage	120-277V
Input Frequency	50/60 Hz
Status	Active

## Specifications

Description	Product No.	Model No.	Ordering Code	Bare Lamp Watts (W)	Nom. Initial Lumens	Min. Start Temp (°F/°C)	Num. of Lamps	Input Current (A)	Input Power (W)	Max THD%	Power Factor			
Philips LED InstantFit T8 4' High Output	473926	9290013976A/B	13T8/MAS/48-830/IF20/P/DIM 10/1	13	2000	-13/-25	2	0.34/0.15	40	10	0.99/0.97			
	473934	9290013977A/B	13T8/MAS/48-835/IF20/P/DIM 10/1		2000									
	473942	9290013978B/D	13T8/MAS/48-840/IF21/P/DIM 10/1		2100									
	473958	9290013979A/B	13T8/MAS/48-850/IF21/P/DIM 10/1		2100									
	473926	9290013976	13T8/48-3000 IF 10/1		2000		2	0.31/0.13	37	10	0.99/0.98			
	473934	9290013977	13T8/48-3500 IF 10/1		2000									
	473942	9290013978	13T8/48-4000 IF 10/1		2100									
	473958	9290013979	13T8/48-5000 IF 10/1		2100									
Philips LED InstantFit T8 4' High Output VLC	529981	1x 9290018701 + 1x 9290013977	14T8/48-835/IF20/VLC 10/1 14T8/48-840/IF21/VLC 10/1	14	2000 2100	-13/-25	2	0.31/0.14	37	10	0.99/0.97			
	529999	1x 9290018702 + 1x 9290013978					1	0.15/0.07	18	15	0.99/0.92			
Philips LED InstantFit T8 4' High Output	468306	9290011585C	14T8/48-3000 IF 10/1	14	2000 2000 2100 2100	-13/-25	2	0.30/0.13	36	10	0.99/0.97			
	468314	9290011586C	14T8/48-3500 IF 10/1											
	468322	9290011587C	14T8/48-4000 IF 10/1				1	0.15/0.07	18	10	0.99/0.93			
	468330	9290011588C	14T8/48-5000 IF 10/1											
Philips LED InstantFit T8 4' High Output Corepro/ Glass Pro	580266	9290035565	11.5T8/COR/48-835/IF20/G/DIM 25/1	11.5	2000 2100 2100	-13/-25	2	0.28/0.12	34	10	0.99/0.97			
	580274	9290035566	11.5T8/COR/48-840/IF21/G/DIM 25/1				1	0.14/0.07	16	15	0.99/0.90			
	580381	9290035623	11.5T8/COR/48-850/IF21/G/DIM 25/1											
	470096	9290013430A	14T8/PRO/48-830/IF20/G 10/1 FB	14	2000 2000 2100 2100	-13/-25	2	0.31/0.13	37	10	0.99/0.97			
	470104	9290013431A	14T8/PRO/48-835/IF20/G 10/1 FB											
	470112	9290013432A	14T8/PRO/48-840/IF21/G 10/1 FB				1	0.15/0.07	18	15	0.99/0.91			
	470120	9290013433A	14T8/PRO/48-850/IF21/G 10/1 FB											
	470096	9290013430	14T8 PRO LED/48-3000 IF G 10/1				2	2000 2000 2100 2100	-13/-25	0.32/0.14	39	10	0.99/0.97	
	470104	9290013431	14T8 PRO LED/48-3500 IF G 10/1											
	470112	9290013432	14T8 PRO LED/48-4000 IF G 10/1											1
470120	9290013433	14T8 PRO LED/48-5000 IF G 10/1												
Philips LED InstantFit U-Bent T8 - 6U MasterClass	541854	9290019874B	13T8-6U/MAS/24-830/IF20/P/DIM 10/1	13	2000 2000 2100 2100	-13/-25	2	0.32/0.14	38	10	0.99/0.97			
	541862	9290019875B	13T8-6U/MAS/24-835/IF20/P/DIM 10/1											
	541870	9290019876B	13T8-6U/MAS/24-840/IF21/P/DIM 10/1				1	0.15/0.07	18	15	0.98/0.91			
	541888	9290019877B	13T8-6U/MAS/24-850/IF21/P/DIM 10/1											
	541854	9290019874A	13T8-6U/MAS/24-830/IF20/P 10/1	13	2000 2000 2100 2100	-13/-25	2	0.35/0.15	41	10	0.99/0.97			
	541862	9290019875A	13T8-6U/MAS/24-835/IF20/P 10/1											
	541870	9290019876A	13T8-6U/MAS/24-840/IF21/P 10/1				1	0.15/0.07	18	15	0.98/0.91			
	541888	9290019877A	13T8-6U/MAS/24-850/IF21/P 10/1											
469379	9290013118	13T8 LED/24-3000 IF-6U 10/1	13	2000 2000 2100 2100	-13/-25	2	0.25/0.10	30	10	0.99/0.97				
469387	9290013119	13T8 LED/24-3500 IF-6U 10/1												
469395	9290013120	13T8 LED/24-4000 IF-6U 10/1				1	0.13/0.06	15	15	0.99/0.91				
469403	9290013121	13T8 LED/24-5000 IF-6U 10/1												

# Centium ICN-2P16-TLED-HL-N

## ICN-2P16-TLED-HL-N

Brand Name	Centium
Driver Type	T8 LED Electronic
Lamp Connection	Parallel
Input Voltage	120-277V
Input Frequency	50/60 Hz
Status	Active

## Specifications

Description	Product No.	Model No.	Ordering Code	Bare Lamp Watts (W)	Nom. Initial Lumens	Min. Start Temp (°F/°C)	Num. of Lamps	Input Current (A)	Input Power (W)	Max THD%	Power Factor
Philips LED InstantFit T8 - 3' MasterClass	539858	9290019675B/D	8.5T8/MAS/36-830/IF13/P/DIM 10/1	8.5	1300	-13/-25	2	0.20/0.09	23	10	0.99/0.94
	539866	9290019679B/D	8.5T8/MAS/36-835/IF13/P/DIM 10/1		1300						
	539874	9290019676B/D	8.5T8/MAS/36-840/IF14/P/DIM 10/1		1400						
	539882	9290019677B/D	8.5T8/MAS/36-850/IF14/P/DIM 10/1		1400		1	0.11/0.05	12	15	0.97/0.85
	539858	9290019675/A	8.5T8/MAS/36-830/IF13/P 10/1	8.5	1300	-13/-25					
	539866	9290019679/A	8.5T8/MAS/36-835/IF13/P 10/1		1300						
	539874	9290019676/A	8.5T8/MAS/36-840/IF14/P 10/1		1400						
	539882	9290019677/A	8.5T8/MAS/36-850/IF14/P 10/1		1400		1	0.11/0.05	12	15	0.96/0.78
	469320	9290013113	9T8 LED/36-3000 IF 10/1	9	1100	-13/-25					
	469338	9290013114	9T8 LED/36-3500 IF 10/1		1100						
	469346	9290013115	9T8 LED/36-4000 IF 10/1		1200						
	469353	9290013116	9T8 LED/36-5000 IF 10/1		1200		1	0.10/0.05	12	15	0.98/0.88
Philips LED InstantFit T8 - 2' MasterClass	541813	9290019869B/C	7T8/MAS/24-830/IF10/P/DIM 10/1	7	1050	-13/-25					
	541821	9290019870B/C	7T8/MAS/24-835/IF10/P/DIM 10/1		1050						
	541839	9290019871B/C	7T8/MAS/24-840/IF11/P/DIM 10/1		1150						
	541847	9290019872B/C	7T8/MAS/24-850/IF11/P/DIM 10/1		1150		1	0.09/0.05	11	15	0.97/0.82
	541813	9290019869/A	7T8/MAS/24-830/IF10/P 10/1	7	1050	-13/-25					
	541821	9290019870/A	7T8/MAS/24-835/IF10/P 10/1		1050						
	541839	9290019871/A	7T8/MAS/24-840/IF11/P 10/1		1150						
	541847	9290019872/A	7T8/MAS/24-850/IF11/P 10/1		1150		1	0.09/0.05	11	15	0.98/0.82
	469270	9290013108	7T8 LED/24-3000 IF 10/1	1050							
	469288	9290013109	7T8 LED/24-3500 IF 10/1	1050							
469296	9290013110	7T8 LED/24-4000 IF 10/1	1150								
469304	9290013111	7T8 LED/24-5000 IF 10/1	1150								

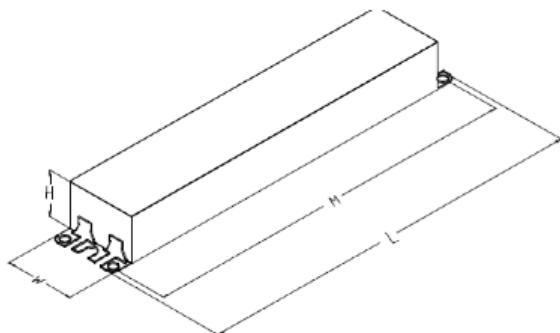
# Centium ICN-2P16-TLED-HL-N

## ICN-2P16-TLED-HL-N

Brand Name	Centium
Driver Type	T8 LED Electronic
Lamp Connection	Parallel
Input Voltage	120-277V
Input Frequency	50/60 Hz
Status	Active

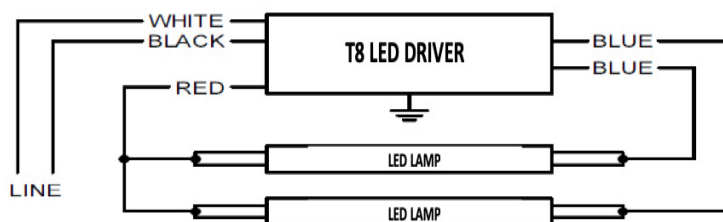
## Enclosure

	In. (cm)
Case Width (W)	1.3 (3.3)
Case Height (H)	1.0 (2.5)
Mounting Length (M)	8.90 (22.6)
Overall Length (L1)	9.5 (24.1)



## Wiring Diagram

	In. (cm)
Black	24 (61)
White	24 (61)
Blue	28 (71.1)
Red	43 (109.2)



# Centium ICN-2P16-TLED-HL-N

## ICN-2P16-TLED-HL-N

Brand Name	Centium
Driver Type	T8 LED Electronic
Lamp Connection	Parallel
Input Voltage	120-277V
Input Frequency	50/60 Hz
Status	Active

## Electrical Specifications

### Section I - Physical Characteristics

- 1.1 Driver shall be physically interchangeable with standard electromagnetic or standard electronic ballasts, where applicable.
- 1.2 Driver shall be provided with integral leads color coded per ANSI C82.11.

### Section II - Performance Requirements

- 2.1 Driver shall energize compatible LED lamps within 1 second after mains power is applied.
- 2.2 Driver shall provide Independent Lamp Operation (ILO) allowing remaining lamp(s) to maintain full light output when one or more lamps fail.
- 2.3 Driver shall contain auto restart circuitry in order to restart lamps without resetting power.
- 2.4 Driver shall operate from a 50Hz or 60 Hz AC input source of 120V through 277V with sustained variations of +/- 10% (voltage and frequency).
- 2.5 Driver shall be high frequency electronic type and operate lamps at frequencies above 42 kHz to avoid interference with infrared devices and eliminate visible flicker.
- 2.6 Driver shall have a Power Factor of 0.90 or above when operating the maximum rated number of compatible lamps, and 0.78 or above when operating the minimum rated number of compatible lamps.
- 2.7 Driver input current shall Total Harmonic Distortion (THD) of 10% or less when operating the maximum rated number of compatible lamps and 15% or less when operating the minimum rated number of compatible lamps.
- 2.8 Driver shall have a Class A sound rating.
- 2.9 Driver shall have a minimum starting temperature of -13°F / -25°C.
- 2.10 Driver shall tolerate sustained open circuit and short circuit output conditions.
- 2.11 Driver shall be capable of operating lamps remotely and in tandem for wire lengths up to 20 ft.
- 2.12 Driver shall be suitable of operation in up to a 45°C ambient temperature.

### Section III - Regulatory Requirements

- 3.1 Driver shall not contain any Polychlorinated Biphenyl (PCB).
- 3.2 Driver shall be Underwriters Laboratories (UL) Recognized with Both UL and CSA Standards, and suitable for Damp and Dry conditions.
- 3.3 Driver shall comply with ANSI C62.41 Category A Transient protection.
- 3.4 Driver shall comply with the requirements of the Federal Communication Commission (FCC) rules and regulations, Title 47, CFR part 15, Non-Consumer (Class A) for EMI/RFI (conducted and radiated).
- 3.5 Driver shall comply with NEMA 410 for in-rush current limits.

### Section IV - Other

- 4.1 Driver shall be manufactured in a factory certified to ISO 9001 Quality System Standards.
- 4.2 Driver shall carry a five year warranty from date of manufacture against defects in material and workmanship when operating in a 45°C ambient environment or less.

