

Bodine's AC sine wave Emergency Lighting Inverters are tailor-made to support projects with multiple fixtures and in cases where emergency LED drivers cannot be used, such as with exterior luminaires, Type B TLEDs, integral-base lamps, or with luminaires whose drivers are not accessible (e.g. flat panels and UFO high bays).



ELI-S-100

- 100 VA max
 - Auto-dim up to 400 VA
- Order Code: ELIS100



ELI-S-250

- 250 VA max
 - Auto-dim up to 800 VA
 - Self-Testing
- Order Code: ELIS250I2UO30ADI2



ELI-S-185 2HR

- 185 VA max for 2 Hours
 - Auto-dim up to 800 VA
 - Self-Testing
- Order Code: ELIS185I2UO30AD2HI



ELI-S-400

- 400 VA max
- Order Code: ELIS400CEC



ELI-S-400 LFP

- 400 VA max
 - Auto-dim up to 800 VA
 - Self-Testing
- Order Code: ELIS400I2UO30ADI2



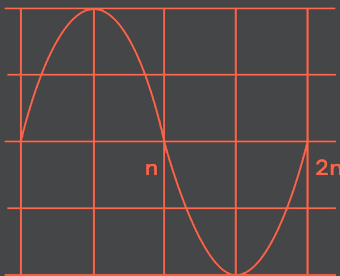
ELI-S-400 2HR

- 400 VA max for 2 Hours
 - Auto-dim up to 800 VA
 - Self-Testing
- Order Code: ELIS400I2UO30AD2HI

Key Features:

- Pure AC Sine Wave out
- Auto-Dim (0-10V)*
- Auto-Select 120-277 Vac out
- CEC Title 20 Compliant
- Long remote mount distance

For full product information, please see www.bodine.com/inverter.



Bodine inverters feature a pure sinusoidal output voltage waveform that provides clean power. It is the same power produced by the electric utilities and is characterized by very low harmonic distortion. Our sinusoidal waveform assures compatibility with virtually all lighting loads.

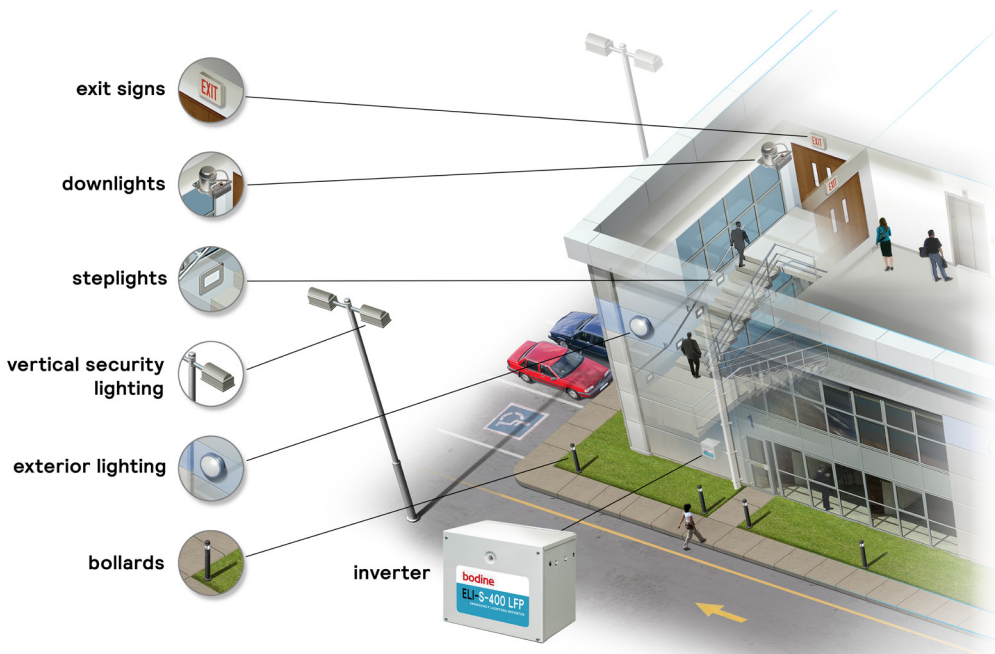


* The standard ELI-S-400 does not include Auto-Dim.

Bodine Emergency Lighting Mini-Inverters

Where can inverters be used?

Anywhere!



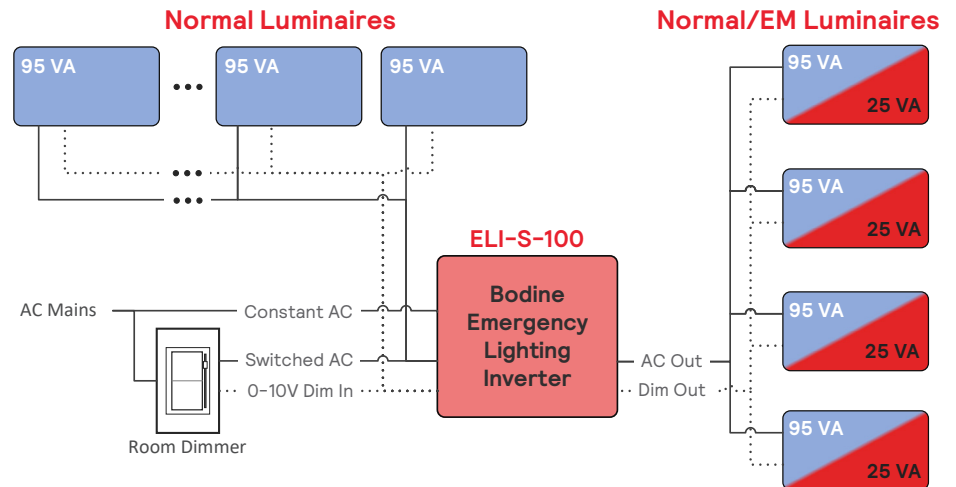
Perfect for luminaires that are:

- too small,
- too far away,
- not easily accessible,
- not compatible with LED emergency drivers.

Auto-Dim Explained:

Bodine's patented automatic dimming circuit (Auto-Dim) allows the emergency lighting load to exceed the inverter's capacity while in the AC mode. When under normal power, local lighting control is maintained. The inverter passes the dimming signal from the room controls to the normal/emergency luminaires. During a power failure, the inverter takes control of the 0-10V dimming signal to the normal/emergency luminaires and powers them at the inverter's maximum output rating.

Is a room dimmer required for Auto-Dim? Not at all! To take advantage of Auto-Dim, you need only to connect your 0-10V dimming drivers to the inverter Dim Out connections. Dim In is optional.



Above, while in the AC mode, the Normal/EM Luminaires have a total max power of 380 VA (4 x 95 VA). When in the emergency mode, Auto-Dim, using the DIM Out signal, reduces the power needs of each luminaire to only 25 VA each, 100 VA total.

Note: This example shows ideal conditions. Inefficiencies and other factors may reduce the total max load possible. See <https://bodine.cc/AutoDim> and product spec sheets for more details.

