

bodine



Emergency Driver

LED

BSL4SB



Project: _____

Location: _____

Cat.No: _____

Type: _____

Lamps: _____ Qty: _____

Notes: _____

Emergency driver for LED luminaires with extended temperature range

Class 2 output

Separate Battery Configuration

Product order numbers: BSL4SB

Specifications

UL Listed for US and Canada

For Factory or Field Installation
(Indoor and Damp Locations)

Illumination Time

90 Minutes

Full Warranty

3 Years (NOT pro-rata)

Universal Input Voltage

120-277 VAC, 50/60 Hz

AC Input Power Rating

4.0 W (Maximum)

Output Voltage

15-50 VDC

Output Power

4 W (Regulated)

Test Switch/Charging Indicator Light

IP67 rated 2W-ITS (can be used in wet locations)
Minimum Clearance 1.00" (25.4 mm) Mounting
Hole 0.54" (13.6 mm)

Battery

High-Temperature, Maintenance-Free
Sealed Lead Acid Battery 3.78" x 1.69"
x 2.04" (96 mm x 43 mm x 52 mm) Terminal Height
2.28" (58 mm)

Recharge Time

24 Hours

Temperature Rating (Ambient)

-20°C to +55° (-4°F to 131°F)

Dimensions (Enclosure Excluding Battery)

6.57" x 2.25" x 1.18" (167 mm x 57 mm x 30 mm)
Mounting Center 6.0" (152.4 mm)

Weight

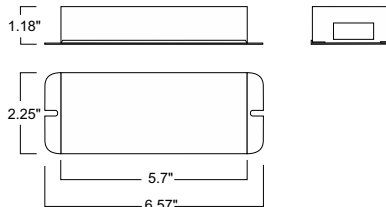
3.0 lbs. (1.36 kg) - polycarbonate

Benefits:

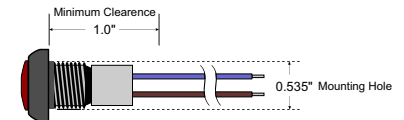
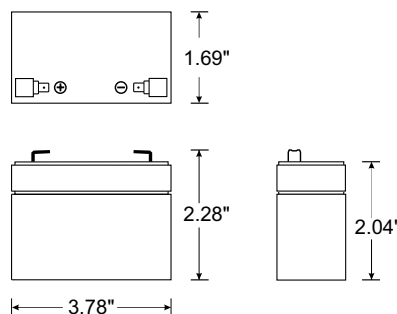
- Smart Charger Technology for low energy consumption
- Meets CEC Title 20 (California Energy Commission) efficiency standards
- Class 2 output - UL 1310 Certified, CSA 22.2 No 223-M91 compliant
- Emergency mode lumen output of up to 500 lumens
- Universal input (120 through 277 VAC)
- 2 wire input helps reduce wiring errors
- Compatible with a variety of LED strip manufacturers

Dimensions

Enclosure



Lead Acid Battery



IP67 rated test switch



BSL4SB Emergency LED Driver with extended temp. range

Application

The BSL4SB universal input (120–277 V) emergency LED driver works in conjunction with an AC LED driver that has an output current not to exceed 3.0 A. The emergency driver consists of a high-temperature sealed lead acid battery, charger and electronic circuitry in one case. The BSL4SB delivers 4 watts to an LED load (measured at nominal battery voltage) for 90 minutes. If used in an emergency-only fixture, no AC driver is necessary. The BSL4SB is suitable for indoor and damp locations. **Warning:** Risk of personal injury or property damage – This emergency battery system contains a sealed lead acid battery. When used in a sealed and gasketed luminaire the luminaire must incorporate some type of venting method. For more information about specific LED and AC driver compatibility, please call the factory. For more information about specific LED and AC driver compatibility, please call the factory. For more information about specific LED and AC driver compatibility, please call the factory.

Operation

When AC power fails, the BSL4SB immediately switches to the emergency mode, operating the LEDs at a reduced lumen output for a minimum of 90 minutes. When AC power is restored, the emergency driver automatically returns to the charging mode.

Installation

The BSL4SB does not affect normal fixture operation and may be used with either a switched or unswitched fixture. If a switched fixture is used, an unswitched hot lead must be connected to the emergency driver. The emergency driver must be fed from the same branch circuit as the AC driver. Installation is not recommended with fixtures where the ambient temperature may fall below -20° C. The product is suitable for installation in sealed and gasketed fixtures when provided with some type of venting method.

Code Compliance

For detailed information regarding standards and code compliance for emergency lighting see product page or the Codes and Standards section on the web site.

Emergency Illumination

The BSL4SB operates an LED load at 4 W at nominal battery voltage for a minimum of 90 minutes.

Specification

Emergency lighting shall be provided by using a LED fixture equipped with a Bodine BSL4SB universal input (120–277 V) emergency driver. This emergency driver shall consist of a high-temperature, maintenance-free sealed lead acid battery, charger and electronic circuitry contained in one case. An IP 67 rated test switch to monitor charger and battery as well as installation hardware shall be provided. The emergency driver shall be capable of delivering 4 watts to an LED load for a minimum of 90 minutes. The BSL4SB is suitable for indoor and damp locations. The BSL4SB shall have a maximum of 4.0 watts of input power and a 6.0 Watt-hour battery capacity and shall comply with emergency standards set forth by the current NEC. This device complies with Part 15 of the FCC Rules and meets CEC Title 20 (California Energy Commission) efficiency standards. The emergency driver shall be UL Listed for factory or field installation.

Warranty

The BSL4SB is warranted for three (3) full years from date of manufacture (NOT pro-rata). Please see detailed warranty information on our website.

