



Upgraded Generator Transfer Device for generator or central inverter supplied lighting UL 1008 and UL 924 Listed for both transfer switch and switch bypass (shunt) applications

Project: _____
 Location: _____
 Cat.No: _____
 Type: _____
 Qty: _____
 Notes: _____

Product order number:
GTDUM

12NC number:
913702479201

Specifications

UL Listed for US and Canada

UL 924 and UL 1008 Listed for factory or field installation as a Switch Bypass or Branch Circuit Emergency Lighting Transfer Switch (BCELTSS) Also tested to CSA 22.2 No. 141 as a Switch Bypass

Universal Input Voltage

120-277 VAC, 50/60 Hz

AC Input Current

30 mA

AC Input Power Rating

2.3 Watts

Switched Load Rating

Up to 277 VAC at a maximum load current of 2 amps

Temperature Rating (Ambient)

-20°C to +65°C (-4°F to 149°F)

Dimensions

6.61" x 2.32" x 1.50" (168 mm x 59 mm x 38 mm)
 Mounting Center 5.98" (152 mm)

Weight

1.00 lbs (0.45 kg)

Warranty

5 Years (NOT pro-rata)

Key Upgraded Features

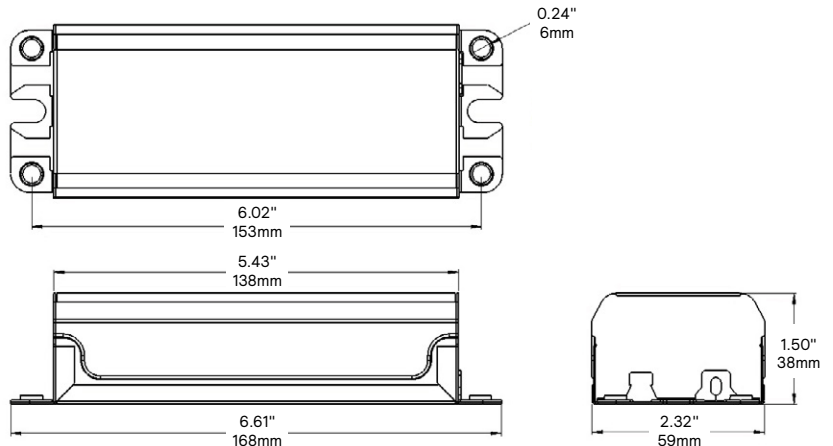
- Dual Listed to UL 1008 (transfer switch) and UL 924 (switch bypass)
- 0-10 V dimming control override capable
- Reduced AC line current and power consumption
- Universal input 120-277 VAC, 50/60 Hz
- 24 VDC fire alarm interface capable

Benefits

- Allows ON/OFF switching and dimming of generator or central inverter supplied emergency lighting
- Can be used with incandescent, fluorescent or LED lighting loads
- Suitable for indoor or damp locations and plenum rated luminaires/enclosures
- 2A electronic ballast/driver rating
- No batteries required
- Meets or exceeds Life Safety Code requirements
- Full 5-year (NOT pro-rata) warranty from date of purchase

Dimensions

6.61" x 2.32" x 1.50" (168 mm x 59 mm x 38 mm)
 Mounting Center 5.98" (152 mm)



GTDU Generator Transfer Device

Emergency Lighting Control Device for Generator and Central Inverter Applications

Application

The GTDU generator transfer device works in conjunction with an auxiliary generator or a central inverter system to power existing incandescent, fluorescent or LED fixtures for egress lighting regardless of fixture wall switch position or dim setting. The device consists of relay switching circuitry in one compact steel case. One generator transfer device per fixture is used to bypass the fixture wall switch and/or dimmer, allowing the building's generator (or central inverter) to operate switchable fixtures at full illumination. The generator transfer device is suitable for indoor or damp locations and for sealed and gasketed fixtures. Recommended applications include: auditoriums, classrooms, hospital, offices or any other location with generator (or central inverter) supplied lighting.

Operation

The GTDU generator transfer device senses the loss of normal power and switches the AC ballast or driver input power connection to an unswitched, generator (or central inverter) supplied lighting circuit.

No routine maintenance is required to keep the GTDU functional; however, like other life safety equipment, it should be checked periodically to ensure that it is working properly.

Installation

The GTDU generator transfer device does not affect normal fixture operation and comes fully assembled to mount inside, on top of or remote from the fixture ballast (top of fixture and remote installation requires other hardware). In addition to available wiring, the device requires a direct, unswitched connection to a generator (or central inverter) supplied emergency panel and an unswitched source on the same branch circuit as the switched supply (see diagram above).

UL and Code Compliance

The GTDU has been tested by Underwriters Laboratories in accordance with the standards set forth in UL 924, "Emergency Lighting and Power Equipment," UL 1008, "Automatic Transfer Switches," and is UL Listed for factory or field installation.

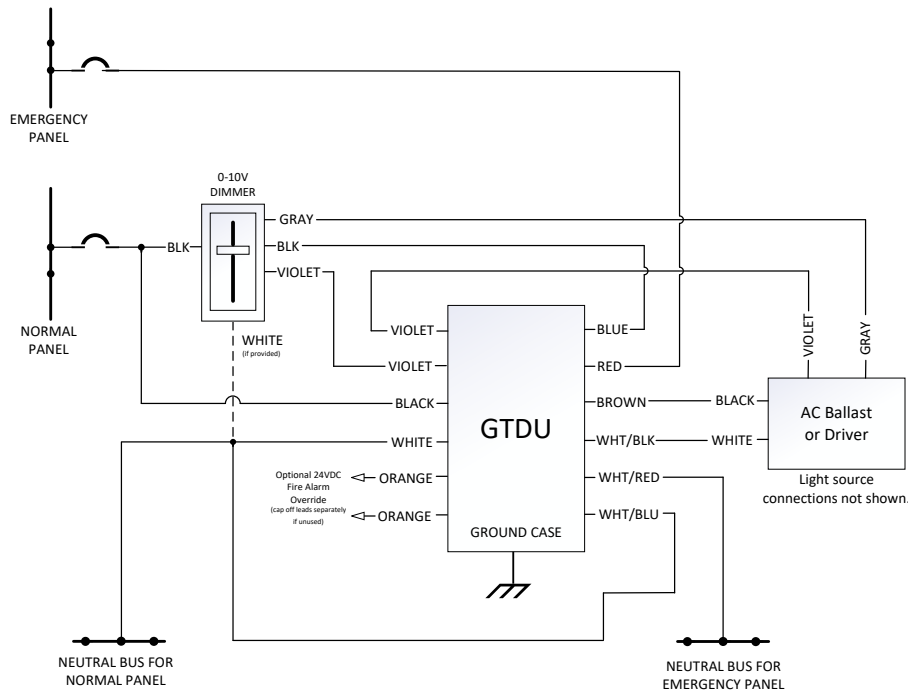
Specification

Generator (or central inverter) supplied egress lighting shall be provided by using a standard incandescent, fluorescent or LED fixture equipped with a Bodine GTDU generator transfer device. The device shall be capable of bypassing the wall switch and/or dimmer when the auxiliary generator (or central inverter) powers lighting. The device shall consist of relay switching circuitry contained in one 6.61" x 2.32" x 1.50" painted steel case; shall operate at 120 through 277 VAC, 50/60 Hz; shall be rated for up to 2 amps maximum (switched load); shall draw 30 mA and 2.3 Watts during normal operation; and shall comply with the current NEC. The device shall be UL Listed for installation inside, on top of or remote from the fixture and shall be warranted for a full five years from date of purchase.

Warranty

The GTDU generator transfer device is warranted for five (5) full years from date of purchase. Please see detailed warranty information on our website.

Schematic



© 2024 Signify Holding. All rights reserved. The information provided herein is subject to change, without notice. Signify does not give any representation or warranty as to the accuracy or completeness of the information included herein and shall not be liable for any action in reliance thereon. The information presented in this document is not intended as any commercial offer and does not form part of any quotation or contract, unless otherwise agreed by Signify.

Signify North America Corporation
400 Crossing Blvd, Suite 600
Bridgewater, NJ 08807
Telephone: 800-500-0050

Signify Canada Ltd.
281 Hillmount Road,
Markham, ON, Canada L6C 2S3
Telephone: 800-668-9008

All trademarks are owned by Signify Holding or their respective owners.