

# bodine

## Emergency Ballast

Linear fluorescent

B33



Project: \_\_\_\_\_  
Location: \_\_\_\_\_  
Cat.No: \_\_\_\_\_  
Type: \_\_\_\_\_  
Lamps: \_\_\_\_\_ Qty: \_\_\_\_\_  
Notes: \_\_\_\_\_

### Specification Grade 3-Lamp Parallel Emergency Illumination Up to 3400 Lumen Output

Product order number: B33REDM (metal case w/conduit)

#### Specifications

##### UL Listed

(UL924 Emergency Lighting Equipment)  
Factory or Field Installation

##### Illumination Time

90 Minutes

##### Initial Light Output

2700 - 3400 Lumens

##### Full Warranty

5 Years (NOT pro-rata)

##### Dual Input Voltage

120/277 VAC, 60 Hz

##### AC Input Current

280 mA

##### AC Input Power Rating

8.0 Watts

##### Test Switch

Single Pole

##### Battery

High-Temperature, Maintenance-Free  
Nickel-Cadmium Battery  
7- to 10-Year Life Expectancy

##### Battery Charging Current

280 mA

##### Recharge Time

24 Hours

##### Charging Indicator Light

LED

##### Temperature Rating (Ambient)

0°C to +50°C (41°F to 122°F)

##### Dimensions

16.3" x 5.5" x 1.7"  
(414 mm x 138 mm x 44 mm)  
2' (610 mm) Flexible Conduit  
Mounting Center 15.7" (400 mm)

##### Weight

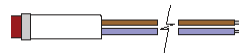
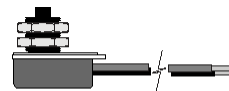
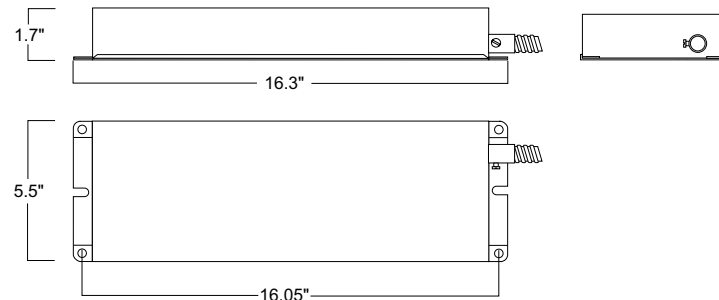
8.7 lbs. (3.9 kg)

#### Benefits:

- Emergency mode lumen output up to 3400 lumens
- Operates three 32W T8 4' lamps in parallel
- Two- or Three-lamp operation

#### Dimensions

16.3" x 5.5" x 1.7" (mounting center - 16.05")



A test switch and charging indicator light is provided.



# B33 Fluorescent emergency ballast, 3-lamp parallel illumination

## Application

The B33 emergency ballast works in conjunction with an INSTANT START, PARALLEL AC ballast to convert new or existing fluorescent fixtures into emergency lighting. The emergency ballast consists of a nickel-cadmium battery, charger and electronic circuitry. The B33 can be used with two or three 32 W (4') T8 fluorescent lamps without integral starters. It is compatible ONLY with instant start, parallel two-, three- or four-lamp electronic or standard AC ballasts. If used in an emergency-only fixture, no AC ballast is necessary. The B33 is suitable for indoor and damp locations. It is not suitable for air handling heated air outlets or wet or hazardous locations. For information about specific lamp and ballast compatibility, please call the factory. Recommended applications include: hospital surgical suites, areas along the path of egress with high ceiling heights and health care, educational, commercial and institutional facilities needing higher levels of emergency illumination.

## Operation

When AC power fails, the B33 immediately switches to the emergency mode, operating either two or three lamps for a minimum of 90 minutes. When AC power is restored, the B33 automatically returns to the charging mode.

## Installation

The B33 does not affect normal fixture operation and may be used with either a switched or unswitched fixture. If a switched fixture is used, an unswitched hot lead must be connected to the emergency ballast. The emergency ballast must be fed from the same branch circuit as the AC ballast. The B33 may be installed on top of or remote from the fixture. The emergency ballast may be remotely installed up to half the distance the AC ballast manufacturer recommends removing the AC ballast from the lamp or up to 50 feet, whichever is less. Installation is not recommended with fixtures where the ambient temperature may fall below +5°C. A charging indicator light and single-pole test switch are provided. Upon request, a single-pole test switch/ monitor plate is provided for remote installation of the test switch and charging indicator. (fits single-gang box)

## Emergency Illumination

The B33 has been optimized for three-lamp operation. The B33 produces 3250 to 3400 lumens initial emergency light output with three 32 W (4') T8 lamps. Total light output is evenly divided among the lamps for better distribution of emergency illumination.

## Specification

Emergency lighting shall be provided by using a standard fluorescent fixture equipped with a Bodine B33 emergency ballast. This emergency ballast shall consist of a high-temperature, maintenancefree nickel-cadmium battery, charger and electronic circuitry contained in one 16 5/16" x 5 7/16" x 1 3/4" red metal case with a 2' length of flexible conduit. A solid-state charging indicator light to monitor the charger and battery, a single-pole test switch and installation hardware shall be provided. The emergency ballast shall be capable of operating (two or three) fluorescent lamps at \_\_\_\_\_lumens (see Table 1) initial light output in the emergency mode for a minimum of 90 minutes. It shall be suitable for indoor locations. The B33 shall have 8 Watts maximum of input power and a 57.6 Watt-hour battery capacity and shall exceed emergency standards set forth by the current NEC. The emergency ballast shall be UL Listed for installation on top of or remote from the fixture.

## Warranty

The B33 is warranted for five (5) full years from date of purchase. Please see detailed warranty information on our web site.

Table 2 Lumen Output

LAMP	LUMENS	
	3 Lamps	2 Lamps
FO32, T8/841	3400	3000
FO32, T8/741	3250	2750

Partial listing of lamps operated.

