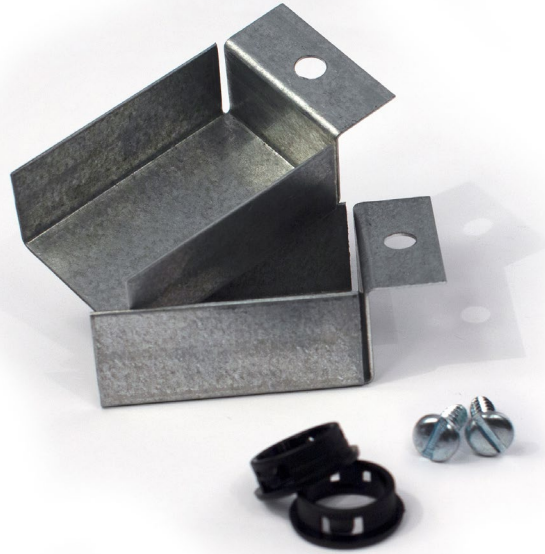


## PRT00047 RMC-LP Remote Mount Kit for Low Profile EM Products



**Model #:** PRT00047

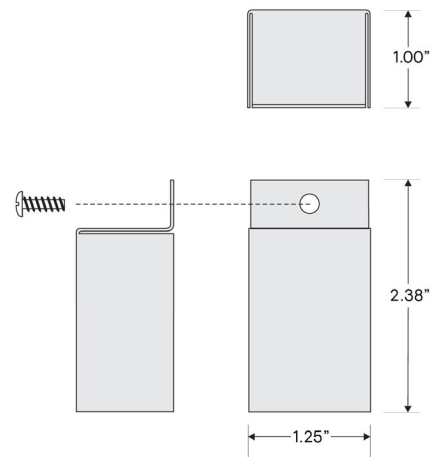
**12NC:** 913701217602

RMC-LP Remote Mount Kit for Low Profile EM Products

### Specifications:

- Kit includes two 22-gauge galvanized steel cover plates, two sheet metal screws and two 1/2" trade size bushings.
- Kit is primarily used to facilitate on top of fixture installation of a low-profile Bodine emergency unit (LP Series or similar).
- Requires a 1/2" trade size (7/8") hole for bushings to be installed so wires can safely be fed through the hole and into the fixture for proper wiring.
- Covers are fastened to the fixture at the ends of the emergency unit with the two sheet metal screws.
- Complies with the National Electrical Code requirements.

### Dimensions:



The information presented in this document is not intended as any commercial offer and does not form part of any quotation or contract. This product is designed for use with other Bodine branded products.