

# ADVANCE

by  Signify

## T8 LED Driver

Centium

ICN-2P15-TLED-N



### ICN-2P15-TLED-N

Brand Name	Centium
Driver Type	T8 LED Electronic
Lamp Connection	Parallel
Input Voltage	120-277V
Input Frequency	50/60 Hz
Status	Active

### Specifications

Description	Product No.	Model No.	Ordering Code	Bare Lamp Watts (W)	Nom. Initial Lumens	Min. Start Temp (°F/°C)	Num. of Lamps	Input Current (A)	Input Power (W)	Max THD%	Power Factor
Philips LED InstantFit T8 - 4' Ultra High Output MasterClass	545178	9290020162C	15.5T8/MAS/48-830/IF23/P/DIM 25/1	15.5	2300	-13/-25	2	0.300/0.135	34	10	0.99/0.96
	533372	9290020163C	15.5T8/MAS/48-835/IF24/P/DIM 25/1		2400						
	545194	9290020164C	15.5T8/MAS/48-840/IF25/P/DIM 25/1		2500						
	545200	9290020165C	15.5T8/MAS/48-850/IF25/P/DIM 25/1		2500						
	545178	9290020162B	15.5T8/MAS/48-830/IF23/P/DIM 25/1	15.5	2300	-13/-25	2	0.300/0.135	34	10	0.99/0.97
	533372	9290020163B	15.5T8/MAS/48-835/IF24/P/DIM 25/1		2400						
	545194	9290020164B	15.5T8/MAS/48-840/IF25/P/DIM 25/1		2500						
	545200	9290020165B	15.5T8/MAS/48-850/IF25/P/DIM 25/1		2500						
	533372	9290020163A	15.5T8/MAS/48-835/IF24/P 10/1	15.5	2400	-13/-25	2	0.230/0.100	27	10	0.99/0.95
	545194	9290020164A	15.5T8/MAS/48-840/IF25/P 10/1		2500		1	0.160/0.080	19	15	0.99/0.91
	545200	9290020165A	15.5T8/MAS/48-850/IF25/P 10/1		2500						
	Philips LED InstantFit T8 - 4' High Output CorePro	580266	9290035565	11.5T8/COR/48-835/IF20/G/DIM 25/1	11.5	2000	-13/-25	2	0.230/0.110	28	10
580274		9290035566	11.5T8/COR/48-840/IF21/G/DIM 25/1	2100		1		0.120/0.060	14	15	0.98/0.85
580381		9290035623	11.5T8/COR/48-850/IF21/G/DIM 25/1	2100							
Philips LED InstantFit T8 - 3' MasterClass	539858	9290019675B/D	8.5T8/MAS/36-830/IF13/P/DIM 10/1	8.5	1300	-13/-25	2	0.160/0.070	18	10	0.99/0.91
	539866	9290019679B/D	8.5T8/MAS/36-835/IF13/P/DIM 10/1		1300						
	539874	9290019676B/D	8.5T8/MAS/36-840/IF14/P/DIM 10/1		1400						
	539882	9290019677B/D	8.5T8/MAS/36-850/IF14/P/DIM 10/1		1400						
	539858	9290019675A	8.5T8/MAS/36-830/IF13/P 10/1	8.5	1300	-13/-25	2	0.160/0.070	19	10	0.99/0.91
	539866	9290019679A	8.5T8/MAS/36-835/IF13/P 10/1		1300						
	539874	9290019676A	8.5T8/MAS/36-840/IF14/P 10/1		1400						
	539882	9290019677A	8.5T8/MAS/36-850/IF14/P 10/1		1400						
Philips LED InstantFit T8 - 2' MasterClass	541813	9290019869B/C	7T8/MAS/24-830/IF10/P/DIM 10/1	7	1050	-13/-25	2	0.150/0.070	17	10	0.98/0.90
	541821	9290019870B/C	7T8/MAS/24-835/IF10/P/DIM 10/1		1050						
	541839	9290019871B/C	7T8/MAS/24-840/IF11/P/DIM 10/1		1150						
	541847	9290019872B/C	7T8/MAS/24-850/IF11/P/DIM 10/1		1150						
	541813	9290019869A	7T8/MAS/24-830/IF10/P 10/1	7	1050	-13/-25	2	0.150/0.070	17	10	0.98/0.90
	541821	9290019870A	7T8/MAS/24-835/IF10/P 10/1		1050						
	541839	9290019871A	7T8/MAS/24-840/IF11/P 10/1		1150						
	541847	9290019872A	7T8/MAS/24-850/IF11/P 10/1		1150						
Philips LED InstantFit U-Bent T8 - 6U Master-Class	541854	9290019874B	13T8-6U/MAS/24-830/IF20/P/DIM 10/1	13	2000	-13/-25	2	0.250/0.110	30	10	0.99/0.96
	541862	9290019875B	13T8-6U/MAS/24-835/IF20/P/DIM 10/1		2000						
	541870	9290019876B	13T8-6U/MAS/24-840/IF21/P/DIM 10/1		2100						
	541888	9290019877B	13T8-6U/MAS/24-850/IF21/P/DIM 10/1		2100						
	541854	9290019874A	13T8-6U/MAS/24-830/IF20/P 10/1	13	2000	-13/-25	2	0.240/0.110	29	10	0.99/0.95
	541862	9290019875A	13T8-6U/MAS/24-835/IF20/P 10/1		2000						
	541870	9290019876A	13T8-6U/MAS/24-840/IF21/P 10/1		2100						
	541888	9290019877A	13T8-6U/MAS/24-850/IF21/P 10/1		2100						

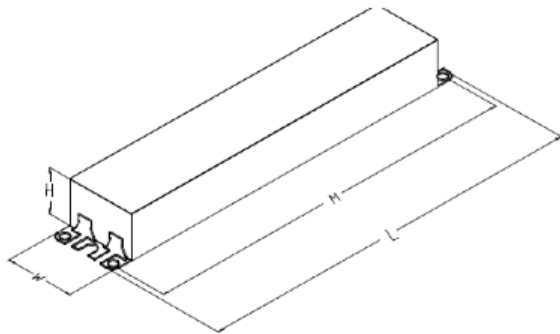
# Centium ICN-2P15-TLED-N

## ICN-2P15-TLED-N

Brand Name	Centium
Driver Type	T8 LED Electronic
Lamp Connection	Parallel
Input Voltage	120-277V
Input Frequency	50/60 Hz
Status	Active

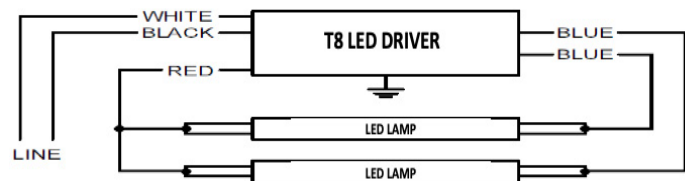
## Enclosure

	In. (cm)
Case Width (W)	1.3 (3.3)
Case Height (H)	1.0 (2.5)
Mounting Length (M)	8.90 (22.6)
Overall Length (L1)	9.5 (24.1)



## Wiring Diagram

	In. (cm)
Black	24 (61)
White	24 (61)
Blue	28 (71.1)
Red	43 (109.2)



## Electrical Specifications

### Section I – Physical Characteristics

- 1.1 Driver shall be physically interchangeable with standard electromagnetic or standard electronic ballasts, where applicable.
- 1.2 Driver shall be provided with integral leads color coded per ANSI C82.11.

### Section II – Performance Requirements

- 2.1 Driver shall energize compatible LED lamps within 1 second after mains power is applied.
- 2.2 Driver shall provide Independent Lamp Operation (ILO) allowing remaining lamp(s) to maintain full light output when one or more lamps fail.
- 2.3 Driver shall contain auto restart circuitry in order to restart lamps without resetting power.
- 2.4 Driver shall operate from a 50Hz or 60 Hz AC input source of 120V through 277V with sustained variations of +/- 10% (voltage and frequency).
- 2.5 Driver shall be high frequency electronic type and operate lamps at frequencies above 42 kHz to avoid interference with infrared devices and eliminate visible flicker.
- 2.6 Driver shall have a Power Factor of 0.90 or above when operating the maximum rated number of compatible lamps, and 0.77 or above when operating the minimum rated number of compatible lamps.
- 2.7 Driver input current shall Total Harmonic Distortion (THD) of 10% or less when operating the maximum rated number of compatible lamps and 15% or less when operating the minimum rated number of compatible lamps.
- 2.8 Driver shall have a Class A sound rating.
- 2.9 Driver shall have a minimum starting temperature of -13°F / -25°C.
- 2.10 Driver shall tolerate sustained open circuit and short circuit output conditions.
- 2.11 Driver shall be capable of operating lamps remotely and in tandem for wire lengths up to 20 ft.
- 2.12 Driver shall be suitable of operation in up to a 45°C ambient temperature.

### Section III – Regulatory Requirements

- 3.1 Driver shall not contain any Polychlorinated Biphenyl (PCB).
- 3.2 Driver shall be Underwriters Laboratories (UL) Recognized with Both UL and CSA Standards, and suitable for Damp and Dry conditions.
- 3.3 Driver shall comply with ANSI C62.41 Category A Transient protection.
- 3.4 Driver shall comply with the requirements of the Federal Communication Commission (FCC) rules and regulations, Title 47, CFR part 15, Non-Consumer (Class A) for EMI/RFI (conducted and radiated).
- 3.5 Driver shall comply with NEMA 410 for in-rush current limits.

### Section IV – Other

- 4.1 Driver shall be manufactured in a factory certified to ISO 9001 Quality System Standards.
- 4.2 Driver shall carry a five year warranty from date of manufacture against defects in material and workmanship when operating in a 45°C ambient environment or less.

