

bodine

Emergency Ballast

Linear fluorescent

B70A



Project: _____
Location: _____
Cat.No: _____
Type: _____
Lamps: _____ Qty: _____
Notes: _____

2-Hour Operation
Dry or Damp Locations
End-of-Lamp-Life Compatible

Product order number: B70A (metal case)

Specifications

UL Listed for US and Canada

Listed to UL924 and tested to CSA 22.2 No. 141
Field or Factory Installation (Indoor and Damp) Output
Class 2 Compliant

Illumination Time

90 Minutes (Standard)
120 minutes (One 32 W T8, One 34-40 W T12)

Initial Light Output

600 - 700 Lumens

Full Warranty

3 Years (NOT pro-rata)

Dual Input Voltage

120/277 VAC, 60 Hz

AC Input Current

280 mA

AC Input Power Rating

3.5 Watts

Test Switch

Single Pole

Battery

High-Temperature, Maintenance-Free
Nickel-Cadmium Battery
7- to 10-Year Life Expectancy

Battery Charging Current

280 mA

Recharge Time

24 Hours

Charging Indicator Light

LED

Ballast Temperature Rating (Ambient)

0°C to +50°C (32°F to 122°F)
(Damp Location)

0°C to +55°C (32°F to 131°F)
(Dry Location)

Dimensions

9.4" x 2.4" x 1.5" (238 mm x 60 mm x 38 mm)
Mounting Center 8.9" (226 mm)

Weight

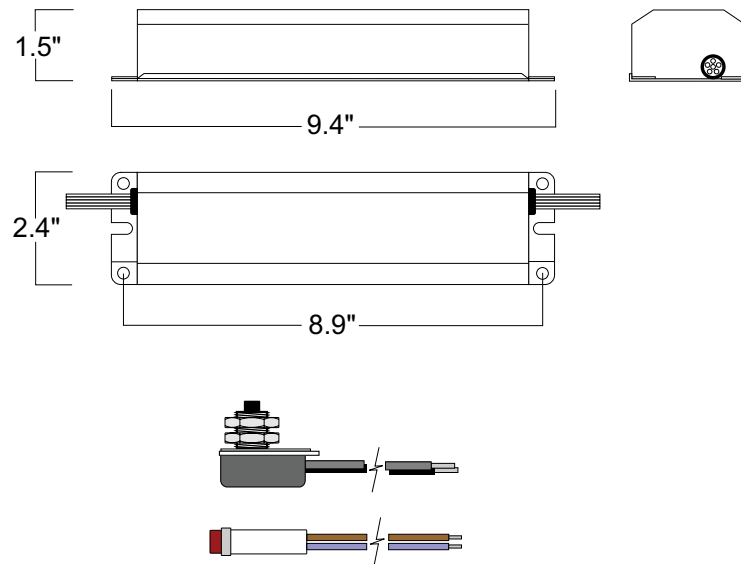
2.5 lbs. (1.13 kg)

Benefits:

- Extended Emergency Operation
- Emergency mode lumen output up to 700 lumens
- End-of-Lamp-Life Compatible

Dimensions

9.4" x 2.4" x 1.5" (mounting center - 8.9")



A test switch and charging indicator light is provided.

B70A Fluorescent emergency ballast, 2-hour operation, damp location

Application

The B70A emergency ballast works in conjunction with an AC ballast to convert new or existing fluorescent fixtures into emergency lighting. The emergency ballast consists of a high-temperature nickel-cadmium battery, charger and electronic circuitry in one compact red case. The B70A can be used with most 32 - 215 W (4' - 8') T8, T12 fluorescent lamps without integral starters, including U-shaped. It is also compatible with most one-, two-, three- and four-lamp electronic, standard, energy-saving and dimming AC ballasts. If used in an emergency-only fixture, no AC ballast is necessary. The B70A is suitable for indoor and damp locations and for sealed & gasketed fixtures, including fixtures rated for wet locations. It is not suitable for air handling heated air outlets or wet or hazardous locations. For information about specific lamp and ballast compatibility, please call the factory.

Operation

When AC power fails, the B70A immediately switches to the emergency mode, operating one lamp at a reduced lumen output for a minimum of 90 minutes. Two-hour duration may be selected with one 32 W T8 or one 34 - 40 W T12 fluorescent lamp. When AC power is restored, the emergency ballast automatically returns to the charging mode and, using a patented circuit, delays AC ballast operation for approximately three seconds to prevent false tripping of the AC ballast end-of-lamp-life shutdown circuits.

Installation

The B70A does not affect normal fixture operation and may be used with either a switched or unswitched fixture. If a switched fixture is used, an unswitched hot lead must be connected to the emergency ballast. The emergency ballast must be fed from the same branch circuit as the AC ballast. The B70A may be installed inside, on top of or remote from the fixture. The emergency ballast may be remotely installed up to half the distance the AC ballast manufacturer recommends removing the AC ballast from the lamp or up to 50 feet, whichever is less. Installation is not recommended with fixtures where the ambient temperature may fall below 0°C.

Emergency Illumination

Depending on the wattage and type of lamp selected, the B70A produces 600 to 700 lumens initial emergency light output. During emergency illumination, one lamp is illuminated, even if installed with a multi-lamp AC ballast. Emergency lumen output will be less with a compact fluorescent lamp.

Specification

Emergency lighting shall be provided by using a standard fluorescent fixture equipped with a Bodine B70A emergency ballast. This emergency ballast shall consist of a high-temperature, maintenance-free nickel-cadmium battery, charger and electronic circuitry contained in one 9 3/8" x 2 3/8" x 1 1/2" red metal case. A solid-state charging indicator light to monitor the charger and battery, a single-pole test

switch and installation hardware shall be provided. The emergency ballast, using a patented circuit, shall delay AC ballast operation for approximately three seconds to prevent false tripping of AC ballast end-of-lamp-life shutdown circuits. The emergency ballast shall be capable of operating one 32 - 215 W T8, T12 at reduced illumination in the emergency mode for a minimum of 90 minutes or one 32 W T8 or one 34 - 40 W T12 at reduced illumination in the emergency mode for a minimum of 120 minutes. It shall be suitable for indoor and damp locations and for sealed & gasketed fixtures, including fixtures rated for wet locations. The B70A shall have 3.5 Watts of input power and a 14.4 Watt-hour battery capacity and shall comply with emergency standards set forth by the current NEC. The emergency ballast shall be UL Listed (Pending) for factory or field installation inside, on top of or remote from the fixture and shall be warranted for a full three years from date of purchase.

Warranty

Model B70A is warranted for three (3) full years from date of purchase. Please see detailed warranty information on our web site..

