



Small but mighty!

The BSL10T3 10-watt and BSL06T3 6-watt Class 2 emergency LED drivers are packed with features. The small size, poke-in connectors, new wiring scheme, and reliability of ABConnect means a quick, easy, and fool proof installation. STSelect allows for the automatic self-testing functionality to be turned on or off as needed, so just one product fits for any application.

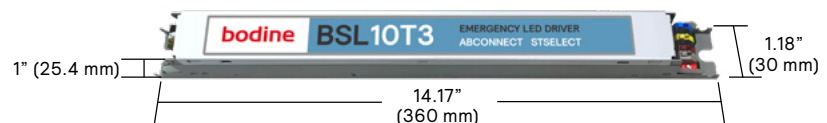
It's easy to see, the small size and robust feature set makes these products the most capable, most flexible products around. Truly, small but mighty!

Product Highlights

- Field installable (UL Listed for the US and Canada)
- Low energy charger (CEC Title 20 compliant)
- Universal input voltage (120 - 277 Vac)
- Compatible with LED arrays whose forward voltage is between 15 and 54 Vdc
- Metal, two-wire, bi-color, IP 65 illuminated test switch with plenum rated cable
- Provides emergency lighting for a minimum of 90 minutes
- Recharge in 24 hours
- High-temperature, maintenance free lithium ion battery
- Temperature rating: 32° F to 131° F (0° C to 55° C)
- Full 5 year warranty (NOT pro-rata)

What's New

- The smallest 10 W emergency driver around
- STSelect (Selectable Self-Test)
- ABConnect
- Simplified wiring scheme
- Bi-color (red/green) charging light for enhanced system status indication



BSL06T3 and BSL10T3

Very small form factor emergency LED drivers

Key Features

STSelect

The BSL06T3 and BSL10T3 come equipped with a feature called STSelect. STSelect stands for Selectable self-test, and allows for the automatic self-testing functionality to be enabled and disabled as needed. One product can serve in any location. Enable self-testing when needed. Disable self-testing for sensitive areas, such as operating rooms or theaters, where automated testing is not desired.

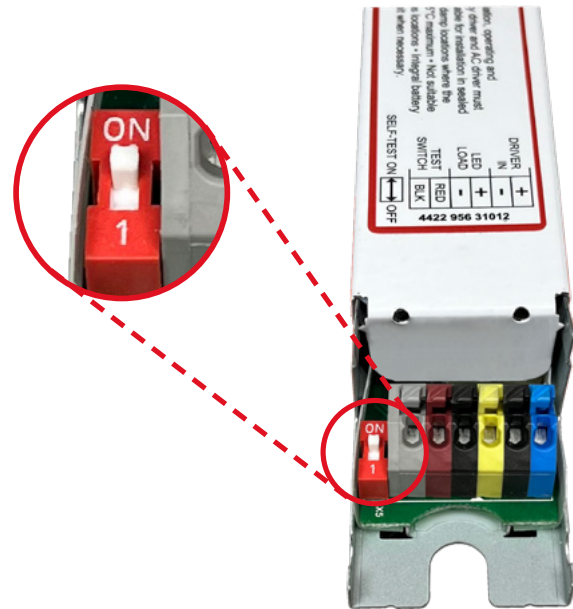
Using STSelect is as simple as the flip of a switch. For more information, see www.bodine.com/selftest.

ABConnect

The BSL06T3 and BSL10T3 include ABConnect. ABConnect allows for enabling and disabling of the emergency driver while eliminating the need for physical enable connectors. The product's charger, emergency, and auxiliary control functions are automatically enabled as soon as AC mains is applied. For more information, see www.bodine.com/ABConnect.

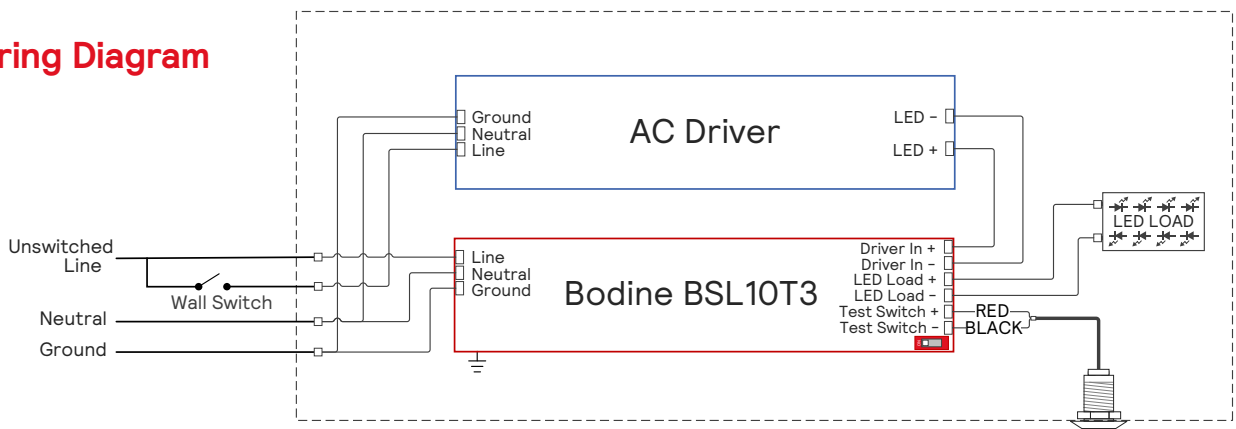
Small Size

The BSL06T3 and BSL10T3 come in what Bodine calls the VSFF (or Very Small Form Factor). This small footprint, only 14.17" x 1.18" x 1.0", makes the BSL10T3 the smallest 10 watt emergency LED driver on the market. The BSL06T3 shares the same chassis as the BSL10T3, so no changes are needed to switch between the two products.



Model Number	12NC Number
BSL10T3UAK55PK12	913702492801 www.bodine.com/BSL10T3
BSL06T3UAK55PK12	913702492701 www.bodine.com/BSL06T3

Typical Wiring Diagram



© 2022 Signify Holding. All rights reserved. The information provided herein is subject to change, without notice. Signify does not give any representation or warranty as to the accuracy or completeness of the information included herein and shall not be liable for any action in reliance thereon. The information presented in this document is not intended as any commercial offer and does not form part of any quotation or contract, unless otherwise agreed by Signify.

Signify North America Corporation
400 Crossing Blvd, Suite 600
Bridgewater, NJ 08807
Telephone: 855-486-2216

Signify Canada Ltd.
281 Hillmount Road,
Markham, ON, Canada L6C 2S3
Telephone: 800-668-9008

All trademarks are owned by Signify Holding or their respective owners.