

Auxiliary Power

Generator Products

GTD



Project: _____

Location: _____

Cat.No: _____

Type: _____

Lamps: _____ Qty: _____

Notes: _____

Emergency Lighting Control Device for generator or central inverter supplied lighting

Product order number: GTDM (galvanized metal case)

Specifications

UL Listed

UL924 Emergency Lighting Compliant
Factory or Field Installation

Full Warranty

5 Years (NOT pro-rata)

Dual Input Voltage

120/277 VAC, 60 Hz

AC Input Current

280 mA

AC Input Power Rating

1.6 Watts

Fusing

All inputs fused to 3 A Maximum

Temperature Rating (Ambient)

-20°C to +65°C (-4°F to 149°F)

Dimensions

8" x 1.18" x 1.18" (204 mm x 30 mm x 30 mm)
Mounting Center 7.60" (193 mm)

Weight

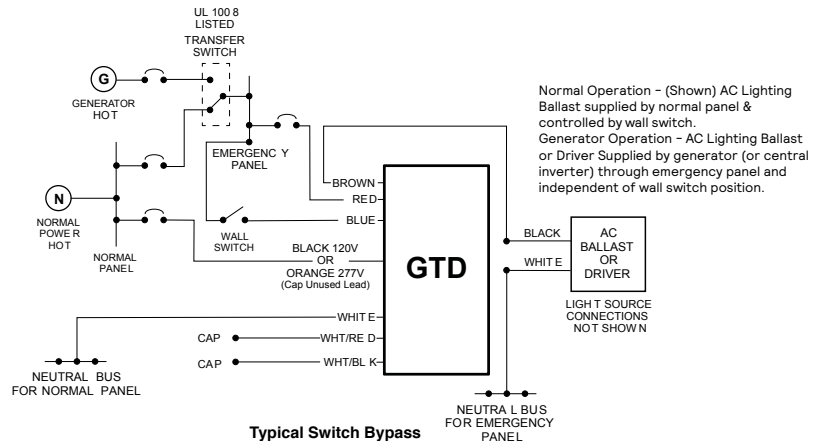
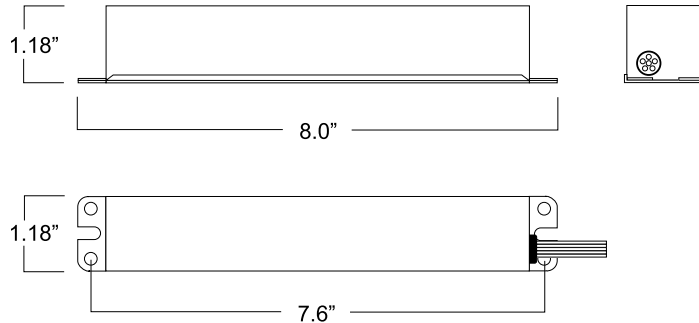
0.50 lbs. (0.23 kg)

Benefits:

- Allows generator supplied emergency lighting regardless of wall switch position
- Energy cost savings benefits by eliminating constant night lighting
- Can be used with fluorescent or LED lighting loads
- Suitable for indoor or damp locations

Dimensions

8.0" x 1.8" x 1.8" (mounting center - 7.6")



GTD Emergency lighting control device

Application

The GTD emergency lighting control device works in conjunction with an auxiliary generator or a central inverter system to power existing fluorescent or LED fixtures for egress lighting regardless of fixture wall switch position. The device consists of relay switching circuitry and fusing in one compact galvanized steel case. One emergency lighting control device per fixture is used to bypass the fixture wall switch, allowing the building's generator (or central inverter) to bring on switchable fixtures. The emergency lighting control device is suitable for indoor or damp locations and for sealed and gasketed fixtures. Recommended applications include: auditoriums, classrooms or any other location with generator (or central inverter) supplied lighting.

Operation

The GTD emergency lighting control device senses the loss of normal power and switches the AC ballast or driver input power connection to an unswitched, generator (or central inverter) supplied lighting circuit. No routine maintenance is required to keep the GTD functional; however, like other life safety unit equipment, it should be checked periodically to ensure that it is working properly.

Installation

The GTD emergency lighting control device does not affect normal fixture operation and comes fully assembled to mount inside, on top of or remote from the fixture ballast. In addition to available wiring, the device requires a direct, unswitched connection to a generator (or central inverter) supplied emergency panel and an unswitched source on the same branch circuit as the switched supply (see diagram on front page).

UL and Code Compliance

The GTD has been tested by Underwriters Laboratories in accordance with the standards set forth in UL 924, "Emergency Lighting and Power Equipment," and is UL Listed for factory or field installation.

Specification

Generator (or central inverter) supplied egress lighting shall be provided by using a standard fluorescent or LED fixture equipped with a Bodine GTD emergency lighting control device. The device shall be capable of bypassing the wall switch when the auxiliary generator (or central inverter) powers lighting. The device shall consist of relay switching circuitry and fusing contained

in one 8" x 1.18" x 1.18" galvanized steel case; shall operate at 120 or 277 VAC, 60 Hz; shall have all inputs fused to 3 A maximum; shall draw 280 mA and 1.6 Watts during normal operation; and shall comply with the current NEC. The device shall be UL Listed for installation inside, on top of or remote from the fixture and shall be warranted for a full five years from date of purchase.

Warranty

The GTD emergency lighting control device is warranted for five (5) full years from date of purchase. Please see detailed warranty information on our web site.

The information presented in this document is not intended as any commercial offer and does not form part of any quotation or contract.

