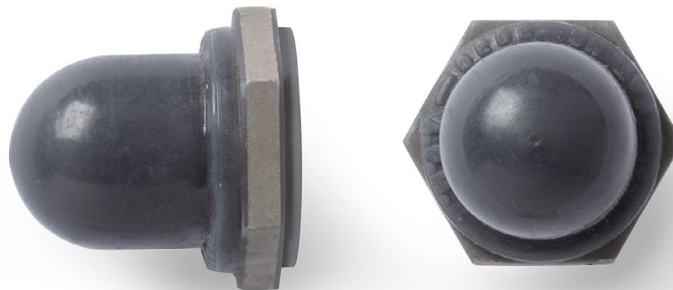




PRT00078 Rubber Boot for 1/2" Single-Pole Pushbutton Test Switch (Wet Location)



Model #: PRT00078

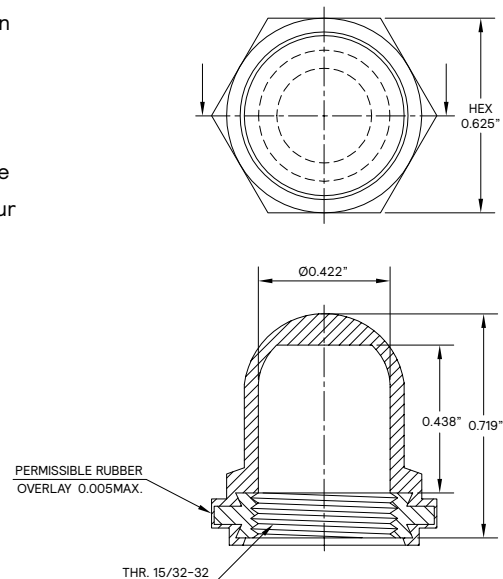
12NC: 913702433701

Rubber Boot for 1/2" Single-Pole Pushbutton Test Switch (Wet Location)

Specifications:

- Kit includes one silicone rubber boot to cover a 1/2" diameter pushbutton test switch to permit its use in wet locations.
- The high-voltage (277VAC) single-pole pushbutton test switch is NOT included with this kit.
- This item is an additional accessory offered for those products that come with a 1/2" single-pole pushbutton test switch, which includes most of our fluorescent emergency ballast products.

Dimensions:



The information presented in this document is not intended as any commercial offer and does not form part of any quotation or contract. This product is designed for use with other Bodine branded products.