

bodine

Auxiliary Power

Generator Products

GTD10DIM



Project: _____
Location: _____
Cat.No: _____
Type: _____
Lamps: _____ Qty: _____
Notes: _____

Switch Bypass Device (Automatic Load Control Relay)

0-10 VDC dimmer override

Up to 10A electronic ballast/driver rating

Product order number: GTD10DIM

Specifications

UL LISTED for US and Canada

UL924 Emergency Lighting Compliant
Field Installation (Indoor and Damp)

Full Warranty

5 Years

Input Voltage

120 Through 277 VAC, 50/60 Hz

LED Lighting Load Rating

Up to 10A electronic ballast rating

Temperature Rating (Ambient)

-35 to 60 C (-30 to 140 F)

Relative Humidity Range

5 to 95%, (noncondensing)

Housing

UL accepted for use in Plenum, NEMA 1

Wire

16" 600V rated

Dimensions

4.5" x 1.675" x 1.32"
(114.3 mm x 42.5 mm x 33.5 mm)

Weight

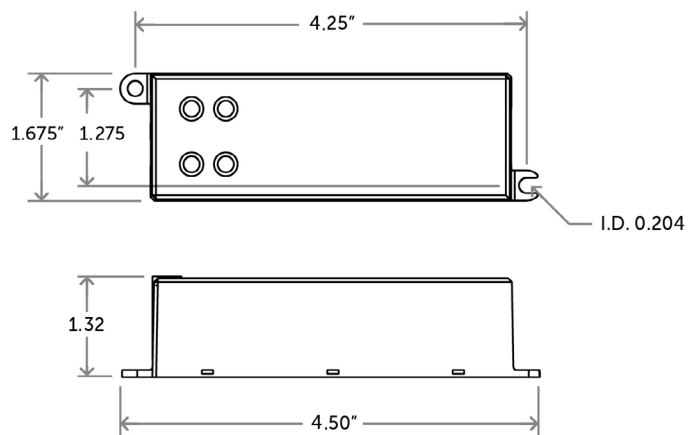
0.43 lbs.

Benefits:

- Allows ON/OFF switching of generator supplied emergency lighting
- Energy cost savings benefits by eliminating constant night lighting
- LED rating - Up to 10A electronic ballast rating
- 0-10 VDC dimmer override

Dimensions

4.5" x 1.675" x 1.32"



GTD10DIM Lighting relay control device

Application

The GTD10DIM emergency lighting control device works in conjunction with an auxiliary generator or a central inverter system to power existing fluorescent or LED fixtures for egress lighting regardless of fixture wall switch position. The device consists of relay switching circuitry and fusing in one compact case. The GTD10DIM bypasses the fixture wall switch, allowing the building's generator (or central inverter) to bring on switchable fixtures. The emergency lighting control device is suitable for indoor or damp locations and for sealed and gasketed fixtures. Recommended applications include: auditoriums, classrooms or any other location with generator (or central inverter) supplied lighting.

Operation

The GTD10DIM emergency lighting control device senses the loss of normal power and switches the AC ballast or driver input power connection to an unswitched, generator (or central inverter) supplied lighting circuit. The GTD10DIM can be used to override a 0-10V dimmer to full brightness. No routine maintenance is required to keep the GTD10DIM functional; however, like other life safety unit equipment, it should be checked periodically to ensure that it is working properly.

Installation

The GTD10DIM emergency lighting control device does not affect normal fixture operation and comes fully assembled to mount inside, on top of or remote from the fixture ballast. In addition to available wiring, the device requires a direct, unswitched connection to a generator (or central inverter) supplied emergency panel and an unswitched source on the same branch circuit as the switched supply. This product also requires a connection to an emergency source that is derived from a UL 1008 Listed automatic transfer switch.

UL and Code Compliance

The GTD10DIM has been tested by Underwriters Laboratories in accordance with the standards set forth in UL 924, "Emergency Lighting and Power Equipment," and is UL and cUL Listed for factory or field installation in the U.S. and Canada.

Specification

Generator (or central inverter) supplied egress lighting shall be provided by using a standard fluorescent or LED fixture equipped with a Bodine GTD10DIM emergency lighting control device. The device shall be capable of bypassing the wall switch when the auxiliary generator (or central inverter) powers

lighting. The device can be used to override a 0-10V dimmer to full brightness. The device shall consist of relay switching circuitry and fusing contained in one 4.5" x 1.675" x 1.32" case; shall operate at 120-277 VAC, 50/60 Hz; shall have all inputs fused to 10 A maximum; and shall comply with the current NEC. The device shall be UL Listed for field or factory installation inside, on top of or remote from the fixture and shall be warranted for a full five years from date of purchase.

Warranty

The GTD10DIM emergency lighting control device is warranted for five (5) full years from date of purchase. Please see detailed warranty information on our website.

